



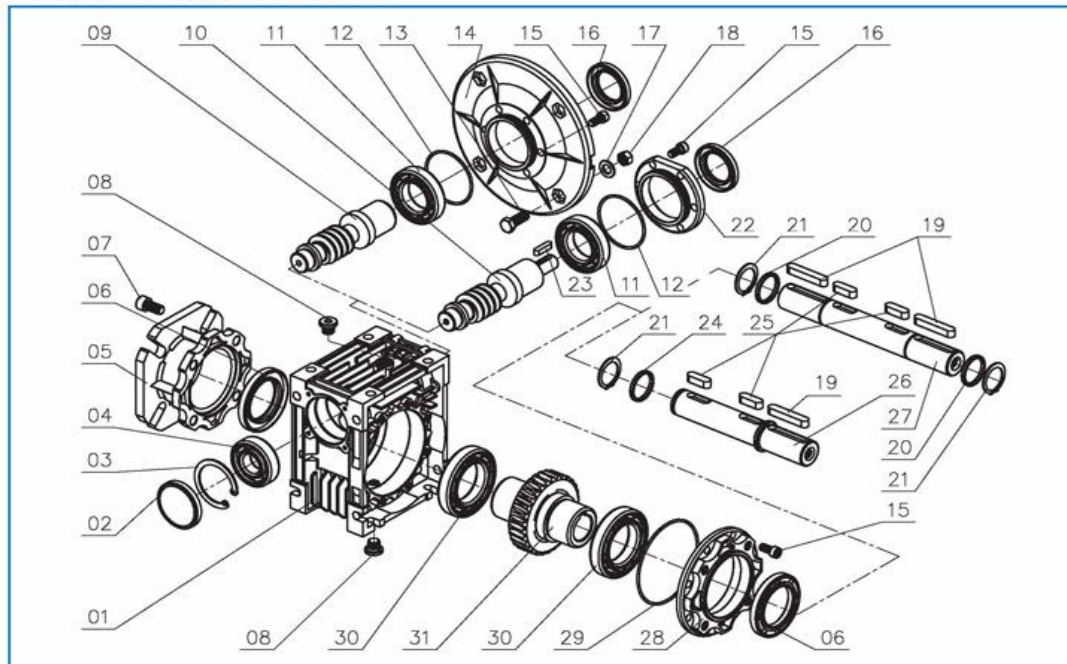
上海梁瑾机电设备有限公司
Shanghai Liangjin Electrical Equipment Co., Ltd

NMRW 蜗轮蜗杆减速机-性能选型技术参数

型式 /TYPE



部件分解图 /PARTS NOTES

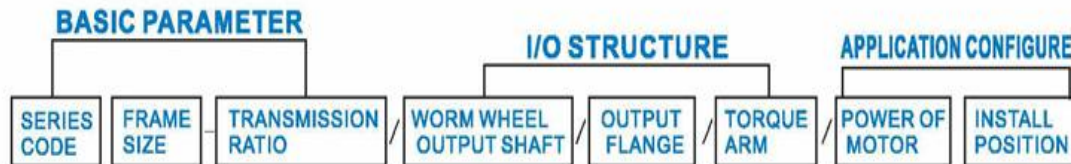


公司名称：上海梁瑾机电设备有限公司
联系人：杨少银 手机:13916695992/13661935973
QQ:1774474796/ 3529250374
电话:021-60538280 传真:021-57872573
网址: <http://www.liangjinqb.com>
地址：中国上海上海市松江区茜浦路 850 弄 33 号

代号指示 / CODE

基本参数 BASIC PARAMETER	系列代号 SERIES CODE	NMRW	带输入法兰蜗杆减速机	WORM REDUCER WITH INPUT FLANGE	
		NRW	轴输入蜗杆减速机	WORM REDUCER WITH INPUT SHAFT	
		PCRW	带前置斜齿减速模块蜗杆减速机	WORM REDUCER WITH PC	
	机座号 FRAME SIZE		DRW	联体双蜗杆减速机	COMBINATION OF WORM REDUCER
			025	机座规格 (中心距 25)	FRAME SIZE 25
			030	机座规格 (中心距 30)	FRAME SIZE 30
			040	机座规格 (中心距 40)	FRAME SIZE 40
			050	机座规格 (中心距 50)	FRAME SIZE 50
			063	机座规格 (中心距 63)	FRAME SIZE 63
			075	机座规格 (中心距 75)	FRAME SIZE 75
			090	机座规格 (中心距 90)	FRAME SIZE 90
			110	机座规格 (中心距 110)	FRAME SIZE 110
			130	机座规格 (中心距 130)	FRAME SIZE 130
			150	机座规格 (中心距 150)	FRAME SIZE 150
			030/040	DRW联体机座组合规格	DRW COMBINATION FRAME SPEC.
			030/050	DRW联体机座组合规格	DRW COMBINATION FRAME SPEC.
			030/063	DRW联体机座组合规格	DRW COMBINATION FRAME SPEC.
			040/075	DRW联体机座组合规格	DRW COMBINATION FRAME SPEC.
			040/090	DRW联体机座组合规格	DRW COMBINATION FRAME SPEC.
			050/110	DRW联体机座组合规格	DRW COMBINATION FRAME SPEC.
			063/130	DRW联体机座组合规格	DRW COMBINATION FRAME SPEC.
			063/040	PCRW机座 (PC063+NMRW040)	PCRW FRAME (PC063+NMRW040)
			063/050	PCRW机座 (PC063+NMRW050)	PCRW FRAME (PC063+NMRW050)
			063/063	PCRW机座 (PC063+NMRW063)	PCRW FRAME (PC063+NMRW063)
			071/050	PCRW机座 (PC071+NMRW050)	PCRW FRAME (PC071+NMRW050)
			071/063	PCRW机座 (PC071+NMRW063)	PCRW FRAME (PC071+NMRW063)
			071/075	PCRW机座 (PC071+NMRW075)	PCRW FRAME (PC071+NMRW075)
			071/090	PCRW机座 (PC071+NMRW090)	PCRW FRAME (PC071+NMRW090)
			080/075	PCRW机座 (PC080+NMRW075)	PCRW FRAME (PC080+NMRW075)
			080/090	PCRW机座 (PC080+NMRW090)	PCRW FRAME (PC080+NMRW090)
	080/110	PCRW机座 (PC080+NMRW110)	PCRW FRAME (PC080+NMRW110)		
	080/130	PCRW机座 (PC080+NMRW130)	PCRW FRAME (PC080+NMRW130)		
	090/110	PCRW机座 (PC090+NMRW110)	PCRW FRAME (PC090+NMRW110)		
	090/130	PCRW机座 (PC090+NMRW130)	PCRW FRAME (PC090+NMRW130)		
传动比 SPEED RATIO		5, 7.5, 10, 15, 20, 25, 30, 40, 50, 60, 80, 100	NMRW, NRW 减速比 (i=5~100)	RATIO OF NMRW AND NRW (i=5~100)	
		72.6, 75, 79.3, 90, 95.1, 96.8, 120, 121, 126.8, 145.2, 150, 158.5, 180, 190.2, 193.6, 240, 242, 253.6, 300, 317	PCRW 减速比 (i=72.6~317)	RATIO OF PCRW (i=72.6~317)	
		100, 150, 200, 250, 300, 400, 500, 600, 750, 900, 1200, 1500, 1800, 2400, 3000, 3200	DRW 减速比 (i=100~3200)	RATIO OF DRW (i=100~3200)	
输入输出结构 INPUT OUTPUT STRUCTURE	蜗杆出轴 EXTENSION WORM SHAFT	E	蜗杆尾出轴	EXTENSION WORM SHAFT	
	蜗轮出轴 OUTPUT SHAFT	SS	蜗轮带单向输出轴	WORM WHEEL WITH SINGLE OUTPUT SHAFT	
DS		蜗轮带双向输出轴	WORM WHEEL WITH DOUBLE OUTPUT SHAFT		
输出法兰 OUTPUT FLANGE	F	配置短输出法兰	CONFIGURE SHORT OUTPUT FLANGE		
	FL	配置长输出法兰	CONFIGURE LONG OUTPUT FLANGE		
扭力臂 TORQUE ARM	A	配置扭力臂	CONFIGURE TORQUE ARM		
配置 ALLOCATION	电机 MOTOR	x x B5, x x B14	电机的机座号及结构型式	FRAME SIZE & STRUCTURE OF MOTOR	
	安装方位 MOUNTING POSITION	B3, B6, B7, B8	减速机水平安装方位	MOUNTING POSITION IN HORIZON	
V5, V6		减速机垂直安装方位	MOUNTING POSITION IN VERTICAL		

产品标注 /PRODUCT NOTES



例：NMRW063-40E/F1/SZ/71B5/B3

NRW063-30/DZ/A/B3

PCRW071/063-126.8/E/SZ/71B14/B3

DRW030/063-1200/63B5/B3

E.G. NMRW063-40E/F1/SZ/71B5/B3

NRW063-30/DZ/A1/B3

PCRW071/063-126.8/E/SZ/71B14/B3

DRW030/063-1200/63B5/B3

注：

1. 基本参数不得缺省；
2. 输入输出结构配置代号如缺省，表示不配置；
3. 对于PCRW及DRW，输入级的机座号在前，输出级的机座号在后，两者以"/"隔开。

NOTE:

1. The basic parameter must be marked.
2. If there is no code for i/o structure, it means that the reducer is without i/o structure.
3. For PCRW and DRW series products, there is a "/" between the frame size of input stage and, the frame size of output stage.

公司名称：上海梁瑾机电设备有限公司

联系人：杨少银 手机:13661935973/13916695992

QQ:1774474796/ 3529250374

电话:021-60538280 传真:021-57872573

网址: <http://www.liangjinqb.com>

地址：中国上海上海市松江区黄蒲路 850 弄 33 号

设计特性：

① 动态效率 η_d : 减速机在运转工况 (动摩擦) 下的传递效率;

② 静态效率 η_s : 减速机在停止状态 (静摩擦) 下的传递效率;

由于摩擦副的静摩擦系数大于动摩擦系数, 因此减速机的动态效率大于静态效率, 即 $\eta_d > \eta_s$ 。

Efficiency is a very important parameter that lies on the design and fabrication of the worm and worm wheels. there are two different friction features when reducer is running or static, so the efficiency of the reducers have dynamic efficiency and static efficiency.

① dynamic efficiency η_d : the transmission efficiency of reducer under operating (dynamic friction)

② static efficiency η_s : the transmission efficiency of reducer when it is static (static friction). as the static friction coefficient is bigger than dynamic friction coefficient so that the dynamic efficiency is over the static efficiency, i.e. $\eta_d > \eta_s$.

● 传动可逆性 / TRANSMISSION REVERSIBILITY

在减速机输出端 (蜗轮) 施加力矩带动输入端 (蜗杆) 的传递过程即为减速机的逆向传动。减速机在逆向传动时所表现的特性即为蜗杆减速机的传动可逆性。在使用过程中必须关注选定减速机的这种特性。

The process to apply the torque on the output side (worm wheel) of reducer to drive the input side (worm shaft) is reversible transmission of reducer. The characteristic expressed in this reversible transmission process is the transmission reversibility of reducer. We must pay attention to this point during operation.

减速机的传动可逆性与减速机的效率有关, 对应于静态效率 η_s 及动态效率 η_d 。将减速机的传动可逆特性描述如下:

The transmission reversibility of reducer is relevant to the efficiency of reducer. the transmission reversibility of reducer is described as below:

$\eta_s = 0.5 - 0.55$: 低静力可逆。即减速机在静止状态时, 可以通过向输出蜗轮施加力矩带动输入蜗杆, 自锁性不强。

$\eta_s = 0.5 - 0.55$: weak static force reversibility. when the reducer is standstill, it is possible to drive the input worm shaft by applying a torque on the output worm wheel. but self-locking is weak.

$\eta_s > 0.5$: 静力可逆。即减速机在静止状态时, 可以通过向输出蜗轮施加力矩带动输入蜗杆, 不能自锁。

$\eta_s > 0.5$: static reversibility. when the reducer is standstill, it is possible to drive the input worm shaft by applying a torque on the output worm wheel. Reversible transmission cannot self lock.

$\eta_d < 0.5$: 动力不可逆。即减速机在传动过程中, 输入轴脱开动力时, 输出轴即能立即停止。

$\eta_d < 0.5$: dynamic force irreversibility, during the operation of the reducer, if we relieve the force from input shaft, the output shaft will stop right away.

① 动态效率 η_d : 减速机在运转工况 (动摩擦) 下的传递效率;

② 静态效率 η_s : 减速机在停止状态 (静摩擦) 下的传递效率;

由于摩擦副的静摩擦系数大于动摩擦系数, 因此减速机的动态效率大于静态效率, 即 $\eta_d > \eta_s$ 。

Efficiency is a very important parameter that lies on the design and fabrication of the worm and worm wheels. there are two different friction features when reducer is running or static, so the efficiency of the reducers have dynamic efficiency and static efficiency.

① dynamic efficiency η_d : the transmission efficiency of reducer under operating (dynamic friction)

② static efficiency η_s : the transmission efficiency of reducer when it is static (static friction). as the static friction coefficient is bigger than dynamic friction coefficient so that the dynamic efficiency is over the static efficiency, i.e. $\eta_d > \eta_s$.

● 传动可逆性 /TRANSMISSION REVERSIBILITY

在减速机输出端（蜗轮）施加力矩带动输入端（蜗杆）的传递过程即为减速机的反向传动。减速机在反向传动时所表现的特性即为蜗杆减速机的传动可逆性。在使用过程中必须关注选定减速机的这种特性。

The process to apply the torque on the output side (worm wheel) of reducer to drive the input side (worm shaft) is reversible transmission of reducer. The characteristic expressed in this reversible transmission process is the transmission reversibility of reducer. We must pay attention to this point during operation.

减速机的传动可逆性与减速机的效率有关，对应于静态效率 η_s 及动态效率 η_d 。将减速机的传动可逆特性描述如下：

The transmission reversibility of reducer is relevant to the efficiency of reducer. the transmission reversibility of reducer is described as below:

$\eta_s < 0.5$: 静力不可逆。即减速机在静止状态时，不能通过向输出蜗轮施加力矩带动输入蜗杆，逆向传动自锁。

$\eta_s < 0.5$: static force irreversibility: when the reducer is standstill, it is impossible to drive the input worm shaft by applying a torque on the output worm wheel. reversible transmission is self-locked.

$\eta_s = 0.5 - 0.55$: 低静力可逆。即减速机在静止状态时，可以通过向输出蜗轮施加力矩带动输入蜗杆，自锁性不强。

$\eta_s = 0.5 - 0.55$: weak static force reversibility. when the reducer is standstill, it is possible to drive the input worm shaft by applying a torque on the output worm wheel. but self-locking is weak.

$\eta_s > 0.5$: 静力可逆。即减速机在静止状态时，可以通过向输出蜗轮施加力矩带动输入蜗杆，不能自锁。

$\eta_s > 0.5$: static reversibility. when the reducer is standstill, it is possible to drive the input worm shaft by applying a torque on the output worm wheel. Reversible transmission cannot self lock.

$\eta_d < 0.5$: 动力不可逆。即减速机在传动过程中，输入轴脱开动力时，输出轴即能立即停止。

$\eta_d < 0.5$: dynamic force irreversibility, during the operation of the reducer, if we relieve the force from input shaft, the output shaft will stop right away.

$\eta_d < 0.5 - 0.6$: 低动力可逆。即减速机在传动过程中，输入轴脱开动力时，输出轴不能立即可靠停止。

$\eta_d < 0.5 - 0.6$: weak dynamic force reversibility. During the operation of the reducer, if we relieve the force from input shaft, the output shaft will stop after a while.

$\eta_d > 0.6$: 动力可逆。即减速机在传动过程中，输入轴脱开动力时，输出轴不能自锁停止。

$\eta_d > 0.6$: dynamic force reversibility: during the operation of the reducer, if we relieve the force from input shaft, the output shaft will not stop by self-locking.

公司名称：上海梁瑾机电设备有限公司

联系人：杨少银 手机:13916695992/13661935973

QQ:1774474796/ 3529250374

电话:021-60538280 传真:021-57872573

网址: <http://www.liangjinqb.com>

地址：中国上海上海市松江区茜浦路 850 弄 33 号

● 齿模数配置 / TOOTH AND MODULAR CONFIGURATION

RW	i	5	7.5	10	15	20	25	30	40	50	60	80	100
025	m	1.25	1.25	1.25	1.25	1	/	1.25	1	0.8	0.65	/	/
	Z1	6	4	3	2	2	/	1	1	1	1	/	/
	γ	30°58'	21°48'	16°42'	11°19'	10°53'	/	5°43'	5°29'	4°34'	3°23'	/	/
	η_d	0.865	0.839	0.815	0.769	0.753	/	0.638	0.624	0.583	0.517	/	/
	η_s	0.716	0.701	0.667	0.594	0.562	/	0.438	0.413	0.362	0.320	/	/
030	m	1.5	1.5	1.5	1.5	1	1.75	1.5	1	0.9	0.75	0.55	/
	Z1	6	4	3	2	2	1	1	1	1	1	1	/
	γ	29°3'	20°19'	15°31'	10°29'	5°42'	6°10'	5°17'	2°52'	3°26'	2°52'	1°58'	/
	η_d	0.874	0.856	0.829	0.782	0.673	0.700	0.667	0.520	0.567	0.520	0.422	/
	η_s	0.723	0.675	0.637	0.559	0.461	0.442	0.400	0.308	0.319	0.275	0.221	/
040	m	2	2	2	2	1.6	1.25	2	1.6	1.25	1	0.8	0.65
	Z1	6	4	3	2	2	2	1	1	1	1	1	1
	γ	30°58'	21°48'	16°42'	11°19'	11°19'	8°8'	5°43'	5°43'	4°5'	2°52'	2°52'	2°29'
	η_d	0.886	0.862	0.839	0.805	0.792	0.738	0.675	0.668	0.604	0.541	0.513	0.477
	η_s	0.737	0.703	0.661	0.589	0.559	0.502	0.434	0.411	0.351	0.284	0.276	0.243
050	m	2.5	2.5	2.5	2.5	2	1.6	2.5	2	1.6	1.25	1	0.8
	Z1	6	4	3	2	2	2	1	1	1	1	1	1
	γ	30°58'	21°48'	16°42'	11°19'	11°19'	9°5'	5°43'	5°43'	4°21'	2°52'	2°52'	2°17'
	η_d	0.887	0.874	0.852	0.808	0.805	0.771	0.711	0.693	0.634	0.532	0.530	0.483
	η_s	0.737	0.695	0.654	0.581	0.561	0.517	0.434	0.403	0.352	0.289	0.270	0.227
063	m	/	3.25	3.25	3.25	2.5	2	3.25	2.5	2	1.6	1.25	1
	Z1	/	4	3	2	2	2	1	1	1	1	1	1
	γ	/	24°31'	18°53'	12°51'	11°19'	8°45'	6°30'	5°43'	4°24'	3°3'	2°52'	2°12'
	η_d	/	0.880	0.870	0.830	0.820	0.780	0.740	0.716	0.660	0.571	0.562	0.486
	η_s	/	0.710	0.670	0.600	0.557	0.510	0.450	0.409	0.360	0.304	0.276	0.229
075	m	/	4	4	4	3	2.5	4	3	2.5	2	1.6	1.25
	Z1	/	4	3	2	2	2	1	1	1	1	1	1
	γ	/	28°4'	21°48'	14°56'	11°19'	11°19'	7°36'	5°43'	5°43'	3°49'	4°21'	2°52'
	η_d	/	0.912	0.904	0.876	0.850	0.848	0.810	0.770	0.769	0.695	0.719	0.626
	η_s	/	0.712	0.683	0.614	0.570	0.542	0.466	0.420	0.395	0.342	0.316	0.267
090	m	/	5	5	5	3.75	3	5	3.75	3	2.5	1.9	1.5
	Z1	/	4	3	2	2	2	1	1	1	1	1	1
	γ	/	33°41'	26°34''	18°26'	14°02'	11°19'	9°28'	7°08'	5°43'	4°46'	3°53'	2°52'
	η_d	/	0.905	0.898	0.873	0.849	0.824	0.804	0.765	0.727	0.690	0.638	0.572
	η_s	/	0.734	0.706	0.650	0.606	0.563	0.505	0.459	0.414	0.380	0.342	0.271
110	m	/	5.9	5.9	5.9	4.6	3.75	5.9	4.6	3.75	3.15	2.4	1.9
	Z1	/	4	3	2	2	2	1	1	1	1	1	1
	γ	/	28°46'	22°22'	15°21'	14°20'	14°02'	7°49'	7°17'	7°08'	5°48'	4°54'	3°37'
	η_d	/	0.901	0.891	0.862	0.848	0.851	0.793	0.776	0.768	0.729	0.692	0.628
	η_s	/	0.721	0.691	0.631	0.618	0.598	0.482	0.478	0.451	0.415	0.372	0.319

● 齿模数配置 / TOOTH AND MODULAR CONFIGURATION

RW	i	5	7.5	10	15	20	25	30	40	50	60	80	100
130	m	/	7	7	7	5.4	4.4	7	5.4	4.4	3.75	2.75	2.25
	Z1	/	4	3	2	2	2	1	1	1	1	1	1
	γ	/	29°15'	22°47'	15°39'	13°47'	12°24'	7°58'	7°00'	6°17'	6°07'	3°56'	3°41'
	η_d	/	0.911	0.891	0.872	0.860	0.845	0.803	0.779	0.758	0.749	0.671	0.657
	η_s	/	0.721	0.691	0.631	0.610	0.583	0.492	0.460	0.435	0.406	0.335	0.308
150	m	/	5.4	6.16	5.4	6.16	5	4.2	6.16	5	4.2	3.15	2.5
	Z1	/	6	4	3	2	2	2	1	1	1	1	1
	γ	/	29°37'	24°41'	15°52'	12°56'	11°19'	9°56'	6°34'	5°43'	5°00'	3°45'	2°52'
	η_d	/	0.911	0.901	0.881	0.858	0.851	0.832	0.776	0.778	0.738	0.701	0.638
	η_s	/	0.731	0.711	0.661	0.599	0.577	0.542	0.448	0.43	0.394	0.340	0.289

参数说明: m-模数; Z1-蜗杆头数; r-导程角; i-速比;

η_d -动态效率; η_s -静态效率

m-modulus; Z1-number of teeth; r-helical angle; i-ratio;

η_d -dynamic efficiency; η_s -static efficiency

NMRW、NRW基本型 /BASIC MODELS OF NMRW AND NRW



基本型NMRW减速机的动力运动由蜗杆输入，经过减速后由蜗轮轴孔输出运动。减速机的输入法兰可与电机的接口法兰匹配。机箱上可配置输出法兰，用于减速机的固定联接。蜗杆和蜗轮的传动中心距（mm）即为表征减速机的机座规格。

每种规格的减速机均精确设计配置以下减速比 $i=5, 7.5, 10, 15, 20, 25, 30, 40, 50, 60, 80, 100$ 。

Basic type reducer NMRW: the power was inputted from the worm shaft, then output drive from the hole shaft of worm wheel after speed reduction. the input flange of reducer can be matched with the flange of motor. Output flange can be in stalled for the connection of reducer. The transmission central distance(mm) of worm and worm wheel is just the frame size. Each size of reducer has been precise designed for following ratios: $i=5, 7.5, 10, 15, 20, 25, 30, 40, 50, 60, 80, 100$.

NMRW基本型减速机可灵活地实现模块化组合：

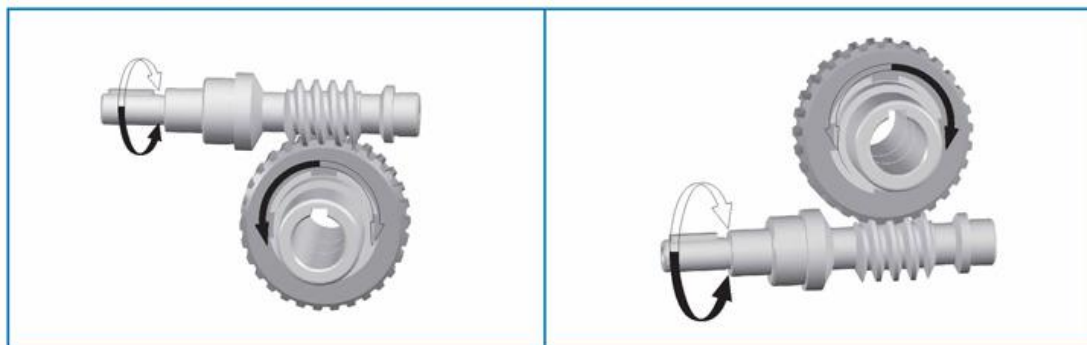
- ① 与前置斜齿轮减速模块组合成齿蜗轮减速机：PCRW (=PC+NMRW)
- ② 两个NMRW自身组合成双蜗杆联体减速机：DRW (=NMRW+NMRW)

Basic NMRW series reducer can realize modular combination easily:

- ②combined with the pre-stage helical modular as PC and worm gear reducer: PCRW(=PC+NMRW)
- ②combination of two single NMRW reducers as double worm gear reducer: DRW(=NMRW+NMRW)

● NMRW、NRW基本型传动的空间关系

SPACE RELATIONS OF BASIC TYPE NMRW AND NRW :



PCRW--前置斜齿减速模块PC与NMRW的组合

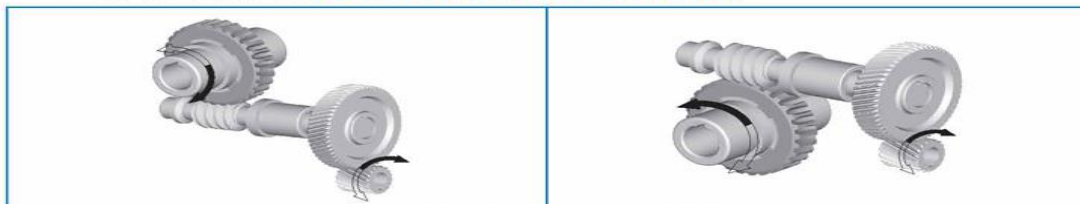
PCRW-COMBINATION OF PRE-STAGE HELICAL MODULAR PC AND NMRW



NMRW 蜗杆减速机可以与专用的前置式斜齿轮减速模块 (PC) 组合联接成一个整体的齿蜗轮减速机 (PCRW)。PCRW的传动比即为PC和NMRW传动比的乘积, 通过这种组合, 可将NMRW基本型的传动比拓展至: $i=72.6\text{--}317$ 的范围。

NMRW worm gear reducer can be combined with pre-stage helical modular (PC) as a gear and worm reducer (PCRW). the ratio of PCRW is the product of the ratios of PC and NMRW. Through this combination, the ratio scope of NMRW basic types can be extended from $i=72.6$ to $i=317$.

● PCRW传动的空间关系 /SPACE RELATION OF PCRW



● 前置斜齿减速模块PC / PRE-STAGE HELICAL MODULAR PC

前置斜齿轮减速模块的输出端接口P2与NMRW减速机的输入法兰匹配兼容, 因此可方便地与NMRW实现前置式组合。

输入端接口P1被设计成可与B5安装型式的电机联接法兰相匹配。

P2按电机的B14型式设计; P1按匹配B5电机的型式设计。

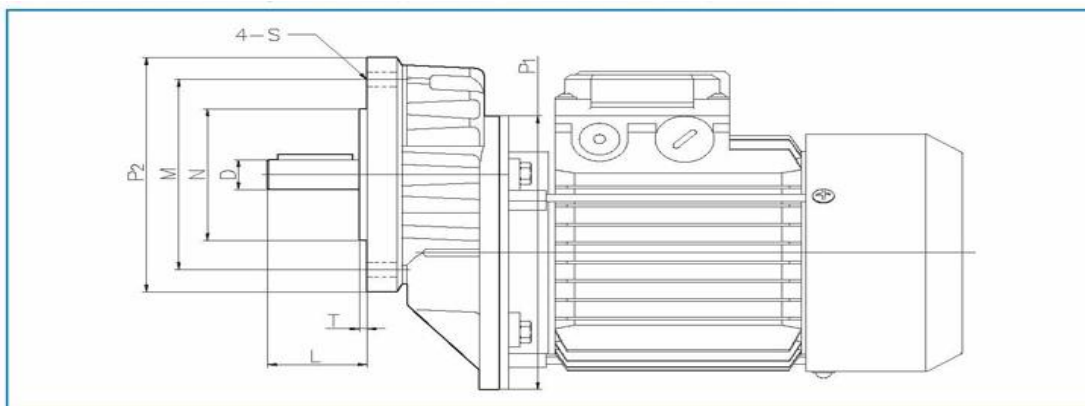
PC的名义机座号与P1匹配配套的电机机座号一致。

The output connection P2 of pre-stage helical gear module is compatible to the input flange of NMRW reducer. Therefore it can be pre-combined with NMRW reducer easily.

The input connection P1 is designed to match with flange of B5 type motors.

P2 is designed for B14 type of motor; P1 is designed for B5 type of motor.

Nominal frame size of pc is same as motor frame size matched with P1.



TYPE	i	D(k8)	N(j8)	M	P2	S	T	L	P1
PC063	3	11(14)	70	85	105	M6	3	23	63B5
PC071	3	14(19)	80	100	120	M6	3	30	71B5
PC080	3	19(24/28)	110	130	160	M8	3	40	80B5
PC090	2.43	24(19/28)	110	130	160	M8	3	50	90B5

● PCRW=PC+NMRW可能的联接 /PCRW=PC+NMRW POSSIBLE CONNECTION

NMRW \ PC		PC063		PC071		PC080		PC090	
		i=3		i=3		i=3		i=2,43	
		63B14	71B14	71B14	80B14	80B14	100B14	80B14	100B14
040	25	●	●						
	30	●	●						
	40	●	●						
	50	●	/						
	60	●	/						
	80	●	/						
	100	●	/						
050	25	/	●	●	●				
	30	/	●	●	●				
	40	/	●	●	/				
	50	/	●	●	/				
	60	/	●	●	/				
	80	/	●	●	/				
	100	●	/	/	/				
063	25	/	/	/	●				
	30	/	/	/	●				
	40	/	●	●	●				
	50	/	●	●	●				
	60	/	●	●	●				
	80	/	●	●	/				
	100	/	●	●	/				
075	25			/	●	●	/		
	30			/	●	●	/		
	40			/	●	●	/		
	50			/	●	●	/		
	60			/	●	●	/		
	80			/	●	●	/		
	100			/	●	●	/		
090	25			/	●	●	/		
	30			/	●	●	/		
	40			/	●	●	/		
	50			/	●	●	/		
	60			/	●	●	/		
	80			/	●	●	/		
	100			/	●	●	/		
110	25					/	●	/	/
	30					/	●	/	●
	40					/	●	/	●
	50					/	●	/	●
	60					/	●	/	●
	80					/	●	/	●
	100					/	●	/	/
130	25							/	●
	30							/	●
	40							/	●
	50							/	●
	60							/	●
	80							/	●
	100							/	●

注：●表示可能的组合；/表示不允许或不推荐的组合。

NOTE: ● Means possible combination; / means the combination is unallowed or not recommended.

DRW--NMRW与NMRW双联体组合 /DRW-DOUBLE NMRW COMBINATION



NMRW减速机本身可以组合成一个双级联体减速机 (DRW)。DRW的传动比即为第一级NMRW和第二级NMRW传动比的乘积，可将传动比拓展至： $i=300\text{--}3200$ 的范围。

DRW并不是两个NMRW的简单组合，合理的组合应使两个减速机达到一致的工况。因此第二级减速机的机座规格要大于第一级减速机的机座规格。

NMRW reducers can be combined as a double reducers combination (DRW). The ratio of DRW is just the product of the first stage NMRW's ratio and the second stage NMRW's ratio. so the ratio can be extended to $i=300\text{--}3200$.

DRW is not only simply combination of two NMRW reducers. the reasonably combination should make two reducers operating at same condition. therefore the frame size of the second stage reducer should be bigger than the first stage reducer.

公司名称：上海梁瑾机电设备有限公司

联系人：杨少银 手机：**13916695992/13661935973**

QQ：**1774474796/ 3529250374**

电话：**021-60538280** 传真：**021-57872573**

网址：**<http://www.liangjinqb.com>**

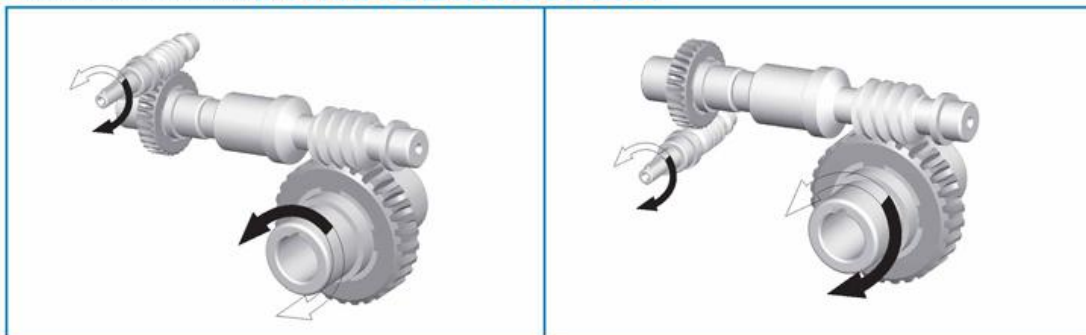
地址：中国上海上海市松江区茜浦路 **850 弄 33 号**

● DRW可能的联接 /DRW POSSIBLE CONNECTION

i_1	i_2	040			050			063			075			090			110			130		
		25	30	40	30	40	50	40	50	60	30	40	50	40	50	60	30	40	50	30	40	50
030	7.5	/	/	/	/	/	/	●	/	/												
	10	/	●	●	●	●	●	●	●	●												
	15	/	/	/	/	/	/	●	●	●												
	20	●	●	/	●	/	/	/	/	/												
	25	/	●	●	●	/	/	/	/	/												
	30	/	●	●	●	●	/	●	●	●												
	50	/	●	●	●	●	/	/	/	/												
	60	/	●	●	●	●	●	●	●	●												
040	7.5									/	/	/	●	/	/							
	10									●	●	●	●	●	●	/						
	15									/	/	/	●	●	●							
	20									●	/	/	/	/	/	/						
	25									●	/	/	/	/	/	/						
	30									●	●	/	●	●	●							
	50									●	/	/	/	/	/	/						
	60									●	●	●	●	●	●	/						
050	10															●	●	●				
	15															/	●	/				
	25															●	/	/				
	30															●	●	/				
	50															●	/	/				
	60															●	●	●				
063	10																		●	●	●	
	15																		/	●	/	
	25																		●	/	/	
	30																		●	●	/	
	50																		●	/	/	
	60																		●	●	●	

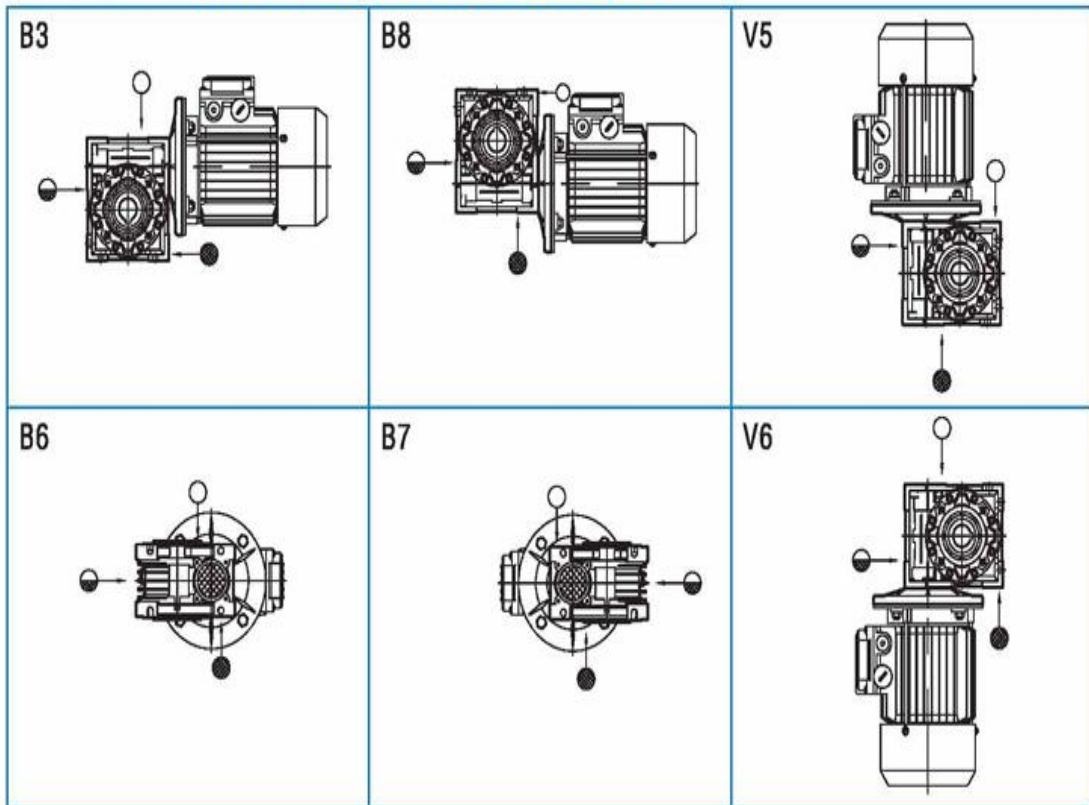
注：●表示可能的组合；/表示不允许或不推荐的组合。
 NOTE: ● Means possible combination; / Means the combination is unallowed or not recommended.

● DRW传动的空间关系 /SPACE RELATION OF DRW

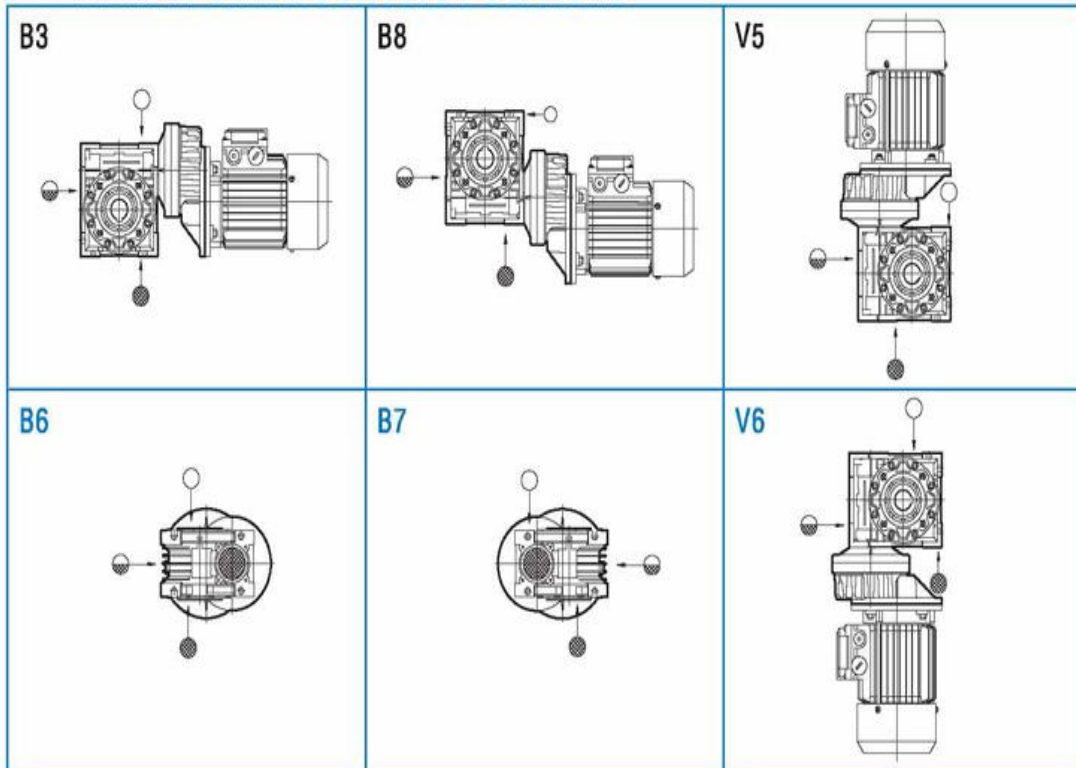


公司名称：上海梁瑾机电设备有限公司
 联系人：杨少银 手机:13916695992/13661935973
 QQ:1774474796/ 3529250374
 电话:021-60538280 传真:021-57872573
 网址: <http://www.liangjinqb.com>
 地址：中国上海上海市松江区茜浦路 850 弄 33 号

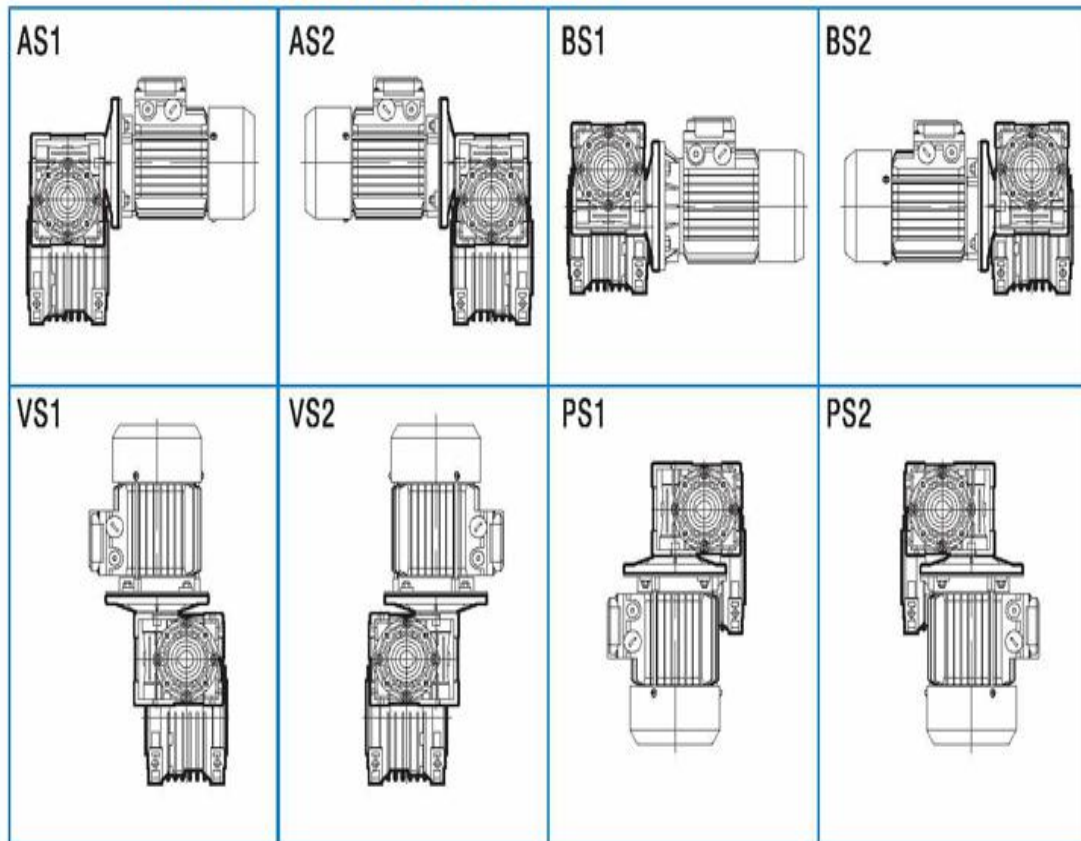
NMRW安装方式/NMRW MOUNTING POSITIONS



PCRW安装方式/PCRW MOUNTING POSITIONS



DRW安装方式 /DRW MOUNTING POSITIONS

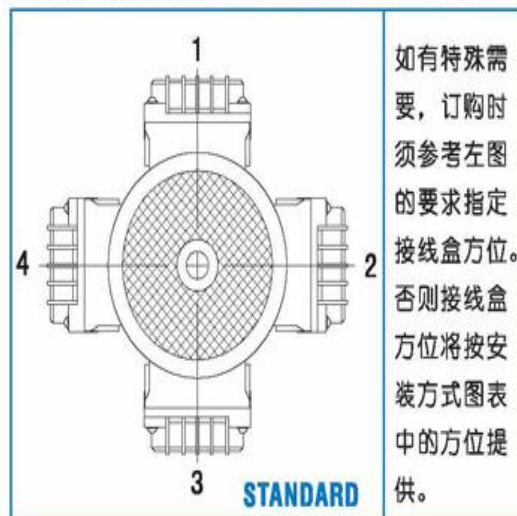


结构配置 /STRUCTURE CONFIGURATION

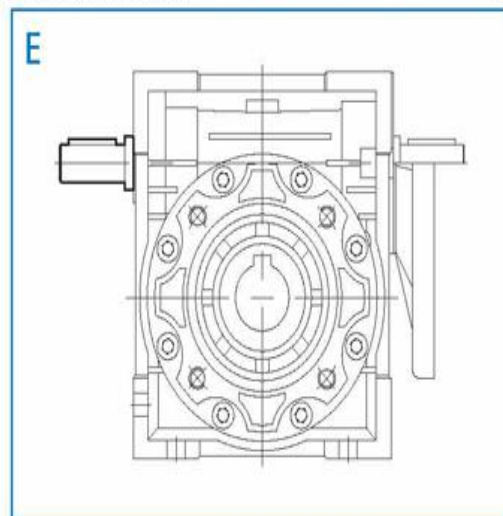
根据需要，RW减速机可被配置：蜗杆尾出轴（E）、输出法兰（F，FL）、扭力臂（A）、蜗轮出力轴（SS，DS）。结构件的配置方位及型式代号如以下图示：

According to requirement, RW reducers can be configured with following parts: extension worm shaft(E), output flange(F, FL), torque arm (A), output shaft of worm (SS,DS) . The configuration positions and type code number of structure shown as in following charts:

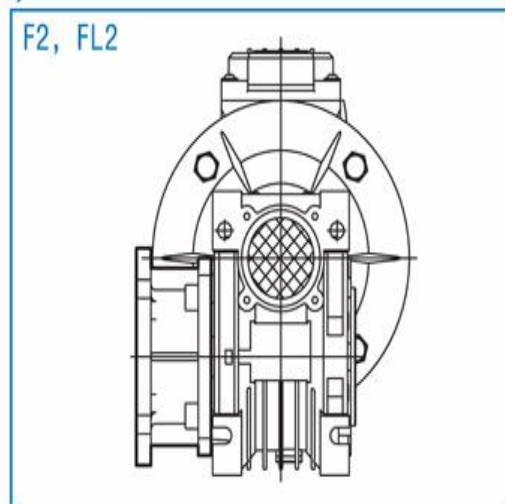
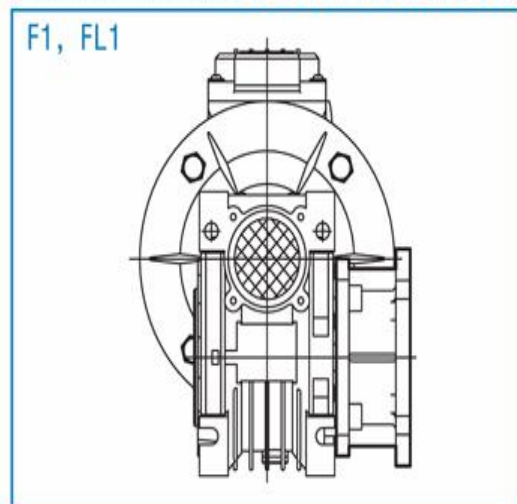
● 电机接线盒方位 /POSITION OF MOTOR TERMINAL BOX



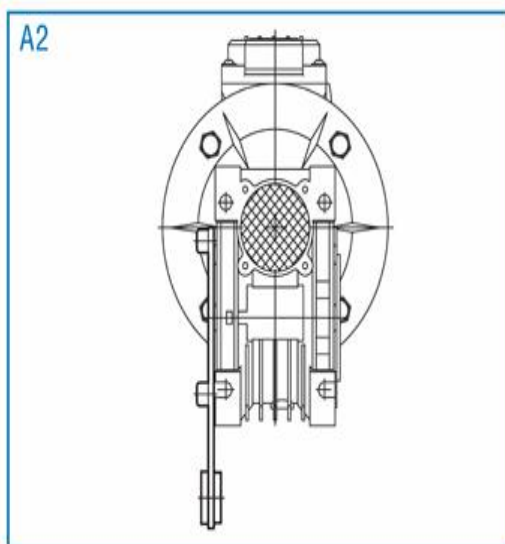
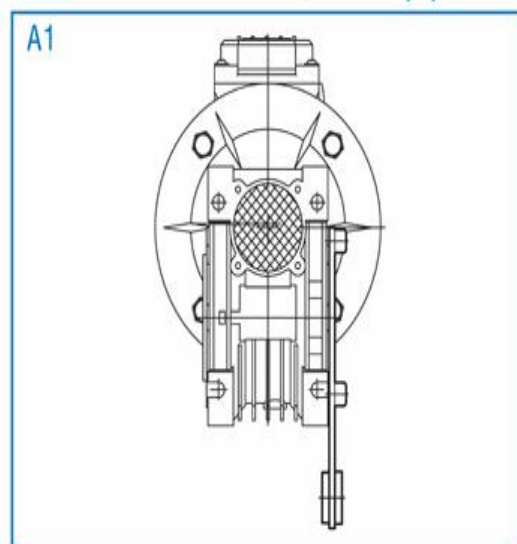
● 蜗杆尾出轴(E)/EXTENSION INPUT OF WORM SHAFT (E)



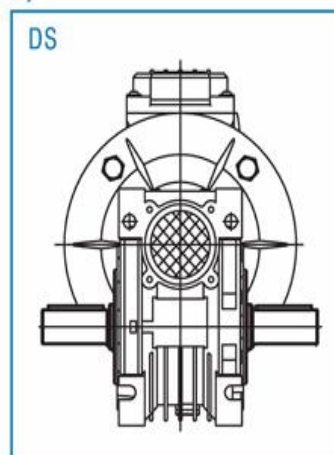
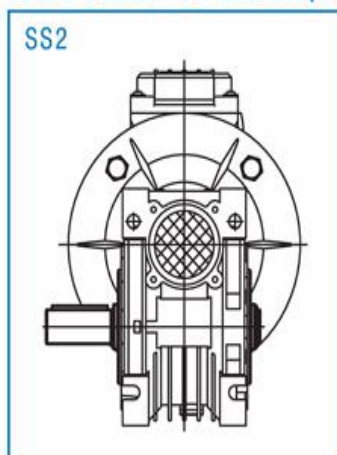
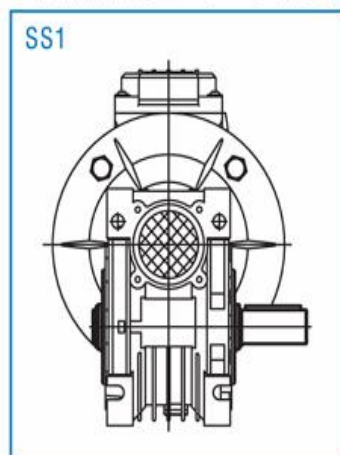
● 输出法兰 (F) 配置 /OUTPUT FLANGE(F,FL)



● 扭力臂 (A) 配置 /TORQUE ARM(A)



● 蜗轮输出轴 (SS, DS) 配置 /OUTPUT SHAFT OF WORM(SS,DS)



润滑油:

RW减速机润滑油量/RW REDUCER LUBRICATION VOLUME

-RW减速机的润滑油量与减速机工作时的安装方位有关。

-所有RW减速机出厂时都按B3安装方位加注WA320润滑油。对于110,130及150三个规格的减速机如果安装方式不同于B3, 必须特别指明安装方式。

-Lubrication volume for RW is related with mounting position of reducer.

-All stock of RW reducers are filled with WA 320 lubrication according to B3 mounting position. For 110 and 130 reducers, if the mounting position is different from B3, a special indication is required.

油容量 (升)/LUBRICATION VOLUME(LITRE)									
RW	030	040	050	063	075	090	110	130	150
B3	0.05	0.18	0.28	0.36	0.75	1.08	2.5	3.75	6.2
B8									
B6,B7									
V5,V6									

PC斜齿减速模块润滑油量 /LUBRICATION VOLUME OF PC HELICAL GEAR MODULAR

-PC斜齿减速模块的润滑油与减速机的润滑油是互相分开的, 润滑油量与PC的安装方式无关。

-PC斜齿减速模块在出厂时已按下表中的油量加注了WA680润滑油。




-Lubrication of PC helical reduction modular is apart from lubrication of reducers. lubrication and the volume is irrespective with the mounting positions of PC.

-PC helical reduction modular is filled with lubrication WA680 before shipment

油容量 (升) /LUBRICATION VOLUME(LITRE)			
PC063	PC071	PC080	PC090
0.18	0.28	0.31	0.31

润滑油类型 /SELECTION OF LUBRICATION

-推荐使用以下润滑油 / RECOMMENDED LUBRICATION

推荐润滑油 /RECOMMENDED LUBRICATION		
国内使用 /FOR DOMESTIC MARKET		WA320/WA680
国外使用 /FOR EXPORT REDUCERS		TELIUM VSF MELIANA OIL 320/680
		MOBILGEAR 320/680 GLYGOYLE

NMRW 功率配置 (n₁=1400r/min) /NMRW POWER CONFIGURATION (n₁=1400r/min)

NMRW		5	7.5	10	15	20	25	30	40	50	60	80	100
025	60W						NO						
	90W						NO						
030	60W												
	90W												
	120W												
	180W												
040	60W	●	●	●	●	●	●	●	●				
	90W	●	●	●	●	●	●	●	●				
	120W												
	180W												
	250W												
	370W												
050	120W	●	●	●	●	●	●	●					
	180W	●	●	●	●	●	●	●					
	250W												
	370W												
	550W												
063	250W	X	●	●	●	●	●	●	●	●	●	●	●
	370W	X	●	●	●	●	●	●	●				
	550W	X	●	●									
	750W	X											
	1100W	X											
	1500W	X											
075	550W	X	●	●	●	●	●	●					
	750W	X	●	●	●	●	●						
	1100W	X											
	1500W	X											
	2200W	X											
	3000W	X											

090	750W	X	●	●	●	●	●	●	●				
	1100W	X	●	●	●	●	●	●					
	1500W	X	●	●	●	●							
	2200W	X											
	3000W	X											
	4000W	X											
110	1100W	X	●	●	●	●	●	●	●	●			
	1500W	X	●	●	●	●	●	●	●				
	2200W	X											
	3000W	X											
	4000W	X											
	5500W	X											
130	1500W	X	●	●	●	●	●	●	●	●	●		
	2200W	X	●	●	●	●	●	●	●				
	3000W	X	●	●	●	●	●	●					
	4000W	X											
	5500W	X											
	7500W	X											

NMRW 功率配置 (n₁=1400r/min) /NMRW POWER CONFIGURATION (n₁=1400r/min)

NMRW		5	7.5	10	15	20	25	30	40	50	60	80	100
150	2200W	X	●	●	●	●	●	●	●				
	3000W	X	●	●	●	●	●	●					
	4000W	X	●	●	●	●							
	5500W	X	●	●	●								
	7500W	X	●	●	●								
	11000W	X											
15000W	X												

注：●表示允许但不推荐的配置，空格部分为不允许的配置，X表示无此速比规格。

NOTE: ● Means allowed but not recommended configurations, Space parts means unallowed configurations, X means no this ratio.

NMRW性能参数 ($n_1=1400r/min$) /NMRW PERFORMANCE PARAMETER ($n_1=1400r/min$)

KW	TYPE	i	$n_2(r/min)$	$M_2(N.M)$
0.06KW	NMRW 025	5	280	1.77
	NMRW 025	7.5	187	2.58
	NMRW 025	10	140	3.34
	NMRW 025	15	93	4.72
	NMRW 025	20	70	6.16
	NMRW 025	30	47	7.83
	NMRW 025	40	35	10.21
	NMRW 025	50	28	11.93
	NMRW 025	60	23	12.69
	NMRW 030	5	280	1.8
	NMRW 030	7.5	186	2.6
	NMRW 030	10	140	3.4
	NMRW 030	15	94	4.8
	NMRW 030	20	70	5.5
	NMRW 030	25	56	7.2
	NMRW 030	30	47	8.2
	NMRW 030	40	35	8.5
	NMRW 030	50	28	11.6
	NMRW 040			12.4
	NMRW 030	60	24	12.8
NMRW 040	12.6			
NMRW 030	80	18	13.8	
NMRW 040			16.8	
NMRW 040	100	14	19.5	
0.09KW	NMRW 025	5	280	2.65
	NMRW 025	7.5	187	3.86
	NMRW 025	10	140	5.00
	NMRW 025	15	93	7.08
	NMRW 025	20	70	9.24
	NMRW 025	30	47	11.8
	NMRW 025	40	35	15.3
	NMRW 030	5	280	2.7
	NMRW 030	7.5	186	4.0
	NMRW 030	10	140	5.1
	NMRW 030	15	94	7.2

NMRW 030	20	70	8.3	
NMRW 030	25	56	10.7	
NMRW 030	30	47	12.3	
NMRW 030	40	35	12.8	
NMRW 030	50	28	17.4	
NMRW 040			18.6	
NMRW 030	60	24	19.2	
NMRW 040			19.0	
NMRW 040	80	18	25.2	
NMRW 040	100	14	29.3	
0.12KW	NMRW 030	5	280	3.6
	NMRW 040			3.5
	NMRW 030	7.5	186	5.3
	NMRW 040			5.3
	NMRW 030	10	140	6.8
	NMRW 040			8.9
	NMRW 030	15	94	9.6
	NMRW 040			9.9
	NMRW 030	20	70	11.0
	NMRW 040			13.0
	NMRW 030	25	56	14.3
	NMRW 040			15.1
	NMRW 030	30	47	16.4

KW	TYPE	i	$n_2(r/min)$	$M_2(N.M)$	
0.12KW	NMRW 040	30	47	16.6	
	NMRW 030	40	35	17.0	
	NMRW 040			21.9	
	NMRW 050			22.7	
	NMRW 030	50	28	23.2	
	NMRW 040			24.7	
	NMRW 050			26.0	
	NMRW 040	60	24	25.3	
	NMRW 050			26.2	
	NMRW 040	80	18	33.6	
	NMRW 050			34.7	
	NMRW 040			100	14
	NMRW 050	39.6			
	0.18KW	NMRW 030	5	280	5.4
		NMRW 040	7.5	186	5.4
NMRW 030		7.9			
NMRW 040		7.9			
NMRW 030		10	140	10.2	
NMRW 040				10.3	
NMRW 030		15	94	14.4	
NMRW 040				14.8	
NMRW 030		20	70	16.5	
NMRW 040				19.5	
NMRW 030		25	56	21.5	
NMRW 040				22.7	
NMRW 030		30	47	24.6	
NMRW 040				24.9	
NMRW 040		40	35	32.8	
NMRW 050	34.0				
NMRW 040	50	28	37.1		
NMRW 050			39.0		
NMRW 040	60	24	37.9		
NMRW 050			39.2		
NMRW 050	80	18	52.1		
NMRW 050	100	14	59.3		

NMRW 040	5	280	7.6	
NMRW 050			7.6	
NMRW 040	7.5	186	11.0	
NMRW 050			11.2	
NMRW 040	10	140	14.3	
NMRW 050			14.5	
NMRW 040	15	94	20.6	
NMRW 050			20.7	
NMRW 040	20	70	27.0	
NMRW 050			27.5	
NMRW 040	25	56	31.5	
NMRW 050			32.8	
NMRW 040	30	47	34.6	
NMRW 050			36.4	
NMRW 040	40	35	45.6	
NMRW 050			47.3	
NMRW 050	50	28	54.1	
NMRW 050	60	24	54.5	
NMRW 050	80	18	72.4	
NMRW 063			76.7	
NMRW 063	100	14	82.8	
0.37KW	NMRW 040	5	280	11.2
	NMRW 050			11.2

NMRW 性能参数 ($n_1=1400r/min$) / NMRW PERFORMANCE PARAMETER ($n_1=1400r/min$)

KW	TYPE	i	$n_2(r/min)$	$M_2(N.M)$	
0.37KW	NMRW 040	7.5	186	16.3	
	NMRW 050			16.6	
	NMRW 040	10	140	21.2	
	NMRW 050			21.5	
	NMRW 040	15	94	30.5	
	NMRW 050			30.6	
	NMRW 040	20	70	40.0	
	NMRW 050			40.7	
	NMRW 040	25	56	46.6	
	NMRW 050			48.7	
	NMRW 040	30	47	51.2	
	NMRW 050			53.8	
	NMRW 050	40	35	67.0	
	NMRW 063			72.3	
	NMRW 050	50	28	80.1	
	NMRW 063			83.3	
	NMRW 050	60	24	80.6	
	NMRW 063			86.5	
	NMRW 063	80	18	113.5	
	NMRW 063			122.6	
0.55KW	NMRW 040	5	280	16.6	
	NMRW 050			16.7	
	NMRW 040	7.5	186	24.3	
	NMRW 050			24.6	
	NMRW 040	10	140	31.5	
	NMRW 050			32.0	
	NMRW 040	15	94	45.3	
	NMRW 050			45.5	
	NMRW 063	20	70	46.7	
	NMRW 050			60.5	
	NMRW 063	25	56	61.6	
	NMRW 050			72.3	
	NMRW 063	30	47	73.2	
	NMRW 050			80.0	
	NMRW 063			83.3	
		NMRW 050	40	35	104.0
		NMRW 063			107.5
		NMRW 075	50	28	115.7
		NMRW 050			123.9
		NMRW 063	60	24	144.3
NMRW 063		128.6			
NMRW 075		80	18	156.5	
NMRW 075				215.78	
NMRW 075		100	14	235.0	
0.75KW		NMRW 050	5	280	22.7
		NMRW 050			33.6
		NMRW 063	7.5	186	33.8
		NMRW 050			43.6
		NMRW 063	10	140	44.5
	NMRW 050	62.0			
	NMRW 063	15	94	63.7	
	NMRW 050			82.4	
	NMRW 063	20	70	84.0	
	NMRW 063			99.8	
	NMRW 063	25	56	113.6	
	NMRW 075			124.4	
	NMRW 063	30	47	146.6	
	NMRW 075			157.8	

KW	TYPE	i	$n_2(r/min)$	$M_2(N.M)$
0.75KW	NMRW 075	50	28	196.8
	NMRW 090			186.1
	NMRW 075	60	24	213.4
	NMRW 090			211.9
	NMRW 090	80	18	261.1
	NMRW 090			292.7
1.1KW	NMRW 063	7.5	186	49.6
	NMRW 075			51.4
	NMRW 063	10	140	65.3
	NMRW 075			67.8
	NMRW 063	15	94	93.5
	NMRW 075			98.6
	NMRW 063	20	70	123.2
	NMRW 075			127.7
	NMRW 063	25	56	146.4
	NMRW 075			159.2
	NMRW 063	30	47	166.7
	NMRW 075			182.5
	NMRW 075	40	35	231.4
	NMRW 090			229.7
	NMRW 090	50	28	272.9
	NMRW 090			310.8
	NMRW 110	60	24	319.1
	NMRW 110			403.8
	NMRW 110	80	18	471.2
	NMRW 110			471.2
1.5KW	NMRW 063	7.5	186	67.6
	NMRW 075			70.1
	NMRW 063	10	140	89.1
	NMRW 075			92.5
	NMRW 063	15	94	127.5
	NMRW 075			134.5
	NMRW 063	20	70	167.9
	NMRW 075			174.1
	NMRW 075	25	56	217.1
	NMRW 090			211.0
	NMRW 075	30	47	248.9
	NMRW 090			247.1
	NMRW 090	40	35	313.3
	NMRW 110			372.1
NMRW 110	50	28	392.9	
NMRW 090			423.8	
NMRW 110	60	24	435.1	
NMRW 110			550.7	
NMRW 130	80	18	534.0	
NMRW 130			672.2	
2.2KW	NMRW 075	7.5	186	102.8
	NMRW 090			101.9
	NMRW 110	10	140	101.8
	NMRW 075			135.7
	NMRW 090	15	94	134.8
	NMRW 110			133.7
	NMRW 075	20	70	197.3
	NMRW 090			196.7
	NMRW 110	25	56	192.7
	NMRW 090			254.9
	NMRW 110	30	47	254.5
	NMRW 090			309.5
	NMRW 110			319.2

NMRW 性能参数 ($n_1=1400r/min$) / NMRW PERFORMANCE PARAMETER ($n_1=1400r/min$)

KW	TYPE	i	n_2 (r/min)	M_2 (N.M)	
2.2KW	NMRW 090	30	47	362.4	
	NMRW 110			354.5	
	NMRW 110	40	35	465.8	
	NMRW 110			576.2	
	NMRW 130	50	28	568.7	
	NMRW 150			583.7	
	NMRW 110			638.1	
	NMRW 130	60	24	655.6	
	NMRW 150			664.5	
	NMRW 130			783.1	
	NMRW 150	80	18	841.5	
	NMRW 130			985.9	
NMRW 150	100	14	957.4		
NMRW 150			140.1		
3.0KW	NMRW 090	7.5	186	139.0	
	NMRW 110			138.8	
	NMRW 075			185.0	
	NMRW 090	10	140	183.8	
	NMRW 110			182.3	
	NMRW 075			269.0	
	NMRW 090	15	94	268.2	
	NMRW 110			262.7	
	NMRW 090			347.7	
	NMRW 110	20	70	347.0	
	NMRW 090			422.0	
	NMRW 110	25	56	435.3	
	NMRW 090			494.1	
	NMRW 110	30	47	483.3	
	NMRW 110			635.1	
	NMRW 130	40	35	637.6	
	NMRW 150			635.1	
	NMRW 110	50	28	785.8	
	NMRW 130			775.5	
	NMRW 150			796.0	
	NMRW 130	60	24	894.0	
	NMRW 150			906.1	
	NMRW 150	80	18	1147.5	
	4.0KW	NMRW 150	100	14	1305.5
NMRW 075		7.5	186	186.8	
NMRW 090				185.3	
NMRW 110				185.0	
NMRW 130				187.1	
NMRW 090		10	140	245.1	
NMRW 110				243.1	
NMRW 130				243.1	
NMRW 090		15	94	357.7	
NMRW 110				350.3	
NMRW 130				354.3	
NMRW 090		20	70	463.5	
NMRW 110	462.7				
NMRW 130	469.3				
5.5KW	NMRW 130	25	56	1080.7	
	NMRW 150			1064.0	
	NMRW 150	30	47	1190.9	
	NMRW 150			1592.0	
	NMRW 150	7.5	187	512.6	
	NMRW 150			676.0	
	NMRW 150	10	140	991.5	
	NMRW 150			1287.5	
	NMRW 150	15	94	1596.2	
	NMRW 150			699.0	
	NMRW 150	25	56	1596.2	
	NMRW 150			921.8	
NMRW 150	7.5	187	1352.0		
NMRW 150			1755.7		
7.5KW	NMRW 110	7.5	186	346.9	
	NMRW 130			350.8	
	NMRW 110	10	140	455.8	
	NMRW 130			455.8	
	NMRW 130	15	94	664.8	
	NMRW 130			879.9	
	NMRW 130	20	70	870.7	
	NMRW 150			870.7	
	11.0KW	NMRW 130	25	56	1080.7
		NMRW 150			1064.0
		NMRW 150	30	47	1190.9
		NMRW 150			1592.0
NMRW 150		7.5	187	512.6	
NMRW 150				676.0	
NMRW 150		10	140	991.5	
NMRW 150				1287.5	
NMRW 150		15	94	1596.2	
NMRW 150				699.0	
NMRW 150		25	56	1596.2	
NMRW 150				921.8	
15.0KW	NMRW 150	7.5	187	1352.0	
	NMRW 150			1755.7	
	NMRW 150	10	140	921.8	
	NMRW 150			1352.0	

公司名称：上海梁瑾机电设备有限公司

联系人：杨少银 手机:13916695992/13661935973

QQ:1774474796/ 3529250374

电话:021-60538280 传真:021-57872573

网址: <http://www.liangjinqb.com>

地址：中国上海上海市松江区茜浦路 850 弄 33 号

PCRW 功率配置 ($n_1=1400r/min$)/PCRW POWER CONFIGURATION($n_1=1400r/min$)

PC+NMRW	i_{pw}	25	30	40	50	60	80	100
PCRW063/040 ($i_{pc}=3$)	0.12KW							
	0.18KW							
PCRW063/050 ($i_{pc}=3$)	0.12KW							
	0.18KW							
PCRW063/063 ($i_{pc}=3$)	0.12KW							
	0.18KW							
PCRW071/050 ($i_{pc}=3$)	0.25KW							
PCRW071/063 ($i_{pc}=3$)	0.25KW							
	0.37KW							
PCRW071/075 ($i_{pc}=3$)	0.25KW							
	0.37KW							
PCRW071/090 ($i_{pc}=3$)	0.37KW							
PCRW080/075 ($i_{pc}=3$)	0.55KW							
	0.75KW							
PCRW080/090 ($i_{pc}=3$)	0.55KW							
	0.75KW							
PCRW080/110 ($i_{pc}=3$)	0.55KW							
	0.75KW							
PCRW080/130 ($i_{pc}=3$)	0.55KW							
	0.75KW							
PCRW090/110 ($i_{pc}=2.43$)	1.1KW							
	1.5KW							
PCRW090/130 ($i_{pc}=2.43$)	1.1KW							
	1.5KW							

公司名称：上海梁瑾机电设备有限公司

联系人：杨少银 手机:13916695992/13661935973

QQ:1774474796/ 3529250374

电话:021-60538280 传真:021-57872573

网址: <http://www.liangjinqb.com>

地址：中国上海上海市松江区茜浦路 850 弄 33 号

PCRW 性能参数 (n₁=1400r/min) / PCRW PERFORMANCE PARAMETER (n₁=1400r/min)

KW	PC+NMRW	i	n ₂	M ₂ (N.M)	i ₁	i ₂	
0.12KW	PCRW063/040	75	18.7	43.0	3	25	
	PCRW063/040	90	15.6	47.2	3	30	
	PCRW063/040	120	11.7	62.3	3	40	
	PCRW063/040	150	9.3	70.4	3	50	
	PCRW063/050			73.9	3	50	
	PCRW063/040	180	7.8	71.9	3	60	
	PCRW063/050			74.5	3	60	
	PCRW063/040	240	5.8	95.7	3	80	
	PCRW063/050			98.9	3	80	
	PCRW063/063			104.9	3	80	
	PCRW063/040	300	4.7	111.3	3	100	
	PCRW063/050			112.7	3	100	
	PCRW063/063			113.4	3	100	
	0.18KW	PCRW063/040	75	18.7	64.6	3	25
PCRW063/050		67.4			3	25	
PCRW063/040		90	15.6	70.9	3	30	
PCRW063/050				74.6	3	30	
PCRW063/040		120	11.7	93.5	3	40	
PCRW063/050				97.0	3	40	
PCRW063/050		150	9.3	110.9	3	50	
PCRW063/063				115.5	3	50	
PCRW063/050		180	7.8	111.7	3	60	
PCRW063/063				119.9	3	60	
PCRW063/050		240	5.8	148.4	3	80	
PCRW063/063				157.3	3	80	
PCRW063/050		300	4.7	169.0	3	100	
PCRW063/063				170.1	3	100	
0.25KW	PCRW071/050	75	18.7	99.0	3	25	
	PCRW071/063			100.2	3	25	
	PCRW071/050	90	15.6	109.5	3	30	
	PCRW071/063			114.0	3	30	
	PCRW071/050	120	11.7	142.3	3	40	
	PCRW071/063			147.1	3	40	
	PCRW071/063	150	9.3	169.5	3	50	
	PCRW071/075			197.4	3	50	
	PCRW071/063	180	7.8	175.9	3	60	
	PCRW071/075			214.1	3	60	
	PCRW071/063	240	5.8	230.9	3	80	
	PCRW071/075			295.4	3	80	
	PCRW071/063	300	4.7	249.6	3	100	
	PCRW071/075			321.5	3	100	
0.55KW	PCRW080/090	90	15.6	257.9	3	30	
	PCRW080/075	120	11.7	329.3	3	40	
	PCRW080/090	120	11.7	327.2	3	40	
	PCRW080/075	150	9.3	411.1	3	50	
	PCRW080/090			388.6	3	50	
	PCRW080/090	180	7.8	442.6	3	60	
	PCRW080/110			467.6	3	60	
	PCRW080/090	240	5.8	545.7	3	80	
	PCRW080/110			591.9	3	80	
	PCRW080/110	300	4.7	671.4	3	100	
	PCRW080/130			702.4	3	100	
	0.75KW	PCRW080/075	75	18.7	309.1	3	25
		PCRW080/090			300.3	3	25
		PCRW080/110			310.2	3	25
PCRW080/075		90	15.6	354.3	3	30	
PCRW080/090				351.7	3	30	
PCRW080/110		120	11.7	346.8	3	30	
PCRW080/090				446.1	3	40	
PCRW080/110		150	9.3	452.5	3	40	
PCRW080/090				530.0	3	50	
PCRW080/110		180	7.8	559.8	3	50	
PCRW080/090				603.6	3	60	
PCRW080/110		240	5.8	637.7	3	60	
PCRW080/130				807.1	3	80	
PCRW080/130		300	4.7	782.6	3	80	
PCRW080/110	957.9			3	100		
PCRW090/110	72.9	19.2	410.4	2.43	30		
PCRW090/130			415.5	2.43	30		
PCRW090/110	97.2	14.4	535.4	2.43	40		
PCRW090/130			537.5	2.43	40		
PCRW090/110	121.5	11.5	662.4	2.43	50		
PCRW090/130			653.7	2.43	50		
PCRW090/110	145.8	9.6	754.5	2.43	60		
PCRW090/130			775.2	2.43	60		
PCRW090/110	194.4	7.2	954.9	2.43	80		
PCRW090/130			925.9	2.43	80		
PCRW090/130	243	5.8	1133.3	2.43	100		
1.5KW	PCRW090/110	72.9	19.2	559.6	2.43	30	
	PCRW090/130			566.6	2.43	30	
	PCRW090/110	97.2	14.4	730.1	2.43	40	
	PCRW090/130			732.9	2.43	40	
	PCRW090/110	121.5	11.5	903.2	2.43	50	
	PCRW090/130			891.5	2.43	50	

0.37KW	PCRW071/063	75	18.7	148.3	3	25
	PCRW071/075			161.2	3	25
	PCRW071/063	90	15.6	168.7	3	30
	PCRW071/075			184.7	3	30
	PCRW071/063	120	11.7	217.7	3	40
	PCRW071/075			234.1	3	40
	PCRW071/063	150	9.3	250.8	3	50
	PCRW071/075			292.2	3	50
	PCRW071/075	180	7.8	316.9	3	60
	PCRW071/090			314.6	3	60
PCRW071/090	240	5.8	387.9	3	80	
PCRW071/090			300	4.7	434.7	3
0.55KW	PCRW080/075	75	18.7	226.7	3	25
	PCRW080/075	90	15.6	259.8	3	30

PCRW090/110	145.8	9.6	1028.8	2.43	60
PCRW090/130			1057.0	2.43	60
PCRW090/130	194.4	7.2	1262.6	2.43	80

DRW 功率配置($n_1=1400r/min$) / DRW POWER CONFIGURATION($n_1=1400r/min$)

NMRW+NMRW	$i_1 \times i_2$	300	400	500	600	750	900	1200	1500	1800	2400	3000	3200
DRW030/040	0.06KW												
	0.09KW												
DRW030/050	0.06KW												
	0.09KW												
	0.12KW												
	0.18KW												
DRW030/063	0.06KW												
	0.09KW												
	0.12KW												
	0.18KW												
DRW040/075	0.06KW												
	0.09KW												
	0.12KW												
	0.18KW												
	0.25KW												
	0.37KW												
DRW040/090	0.09KW												
	0.12KW												
	0.18KW												
	0.25KW												
	0.37KW												
DRW050/110	0.12KW												
	0.18KW												
	0.25KW												
	0.37KW												
	0.55KW												
	0.75KW												
DRW063/130	0.25KW												
	0.37KW												
	0.55KW												
	0.75KW												
	1.1KW												
	1.5KW												

注：空格为不允许的配置

NOTE: Space parts means unallowed configurations.

公司名称：上海梁瑾机电设备有限公司

联系人：杨少银 手机:13916695992/13661935973

QQ:1774474796/ 3529250374

电话:021-60538280 传真:021-57872573

网址: <http://www.liangjinqb.com>

地址：中国上海上海市松江区茜浦路 850 弄 33 号

DRW性能参数 (n₁=1400r/min) / DRW PERFORMANCE PARAMETER (n₁=1400r/min)

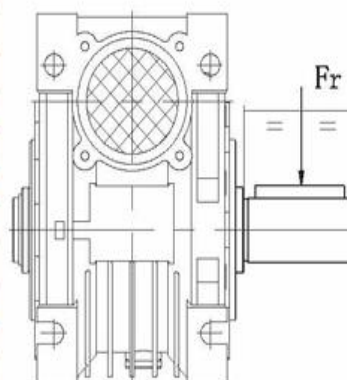
KW	NMRW+NMRW	i	n ₂ (r/min)	M ₂ (N.M)	i ₁	i ₂
0.06KW	DRW030/040	300	4.7	68.7	10	30
	DRW030/040	400	3.5	90.7	10	40
	DRW030/040	500	2.8	101.6	20	25
	DRW030/040	600	2.3	111.5	20	30
	DRW030/040	750	1.9	145.0	25	30
	DRW030/040	900	1.6	165.8	30	30
	DRW030/050			174.7	30	30
	DRW030/040	1200	1.2	218.8	30	40
	DRW030/050			227.0	30	40
	DRW030/040	1500	0.9	234.9	50	30
	DRW030/050			247.5	50	30
	DRW030/063			270.2	30	50
	DRW030/040	1800	0.8	258.6	60	30
	DRW030/050			272.3	60	30
	DRW030/063			280.6	30	60
	DRW030/040	2400	0.6	341.2	60	40
	DRW030/050			353.9	60	40
	DRW030/063			365.7	60	40
	DRW040/075			388.7	60	40
	DRW030/040	3000	0.5	385.6	60	50
DRW030/050	404.8			60	50	
DRW030/063	421.4			60	50	
DRW040/075	485.3			60	50	
DRW030/040	3200	0.4	369.2	80	40	
0.18KW	DRW040/075	750	1.9	550.4	25	30
	DRW040/090	900	1.6	599.7	30	30
	DRW040/090	1200	1.2	760.8	30	40
	DRW040/090	1500	0.9	903.7	30	50
	DRW050/110	1800	0.8	932.3	60	30
	DRW050/110	2400	0.6	1216.4	60	40
	DRW040/075	300	4.7	347.6	10	30
	DRW040/075	400	3.5	440.6	10	40
	DRW040/075	500	2.8	550.1	10	50
	DRW040/090	600	2.3	639.1	15	40
	DRW040/090	750	1.9	790.7	15	50
	DRW040/090	900	1.6	900.6	15	60
	DRW050/110	1200	1.2	1129.0	30	40
	DRW050/110	1500	0.9	1285.9	50	30
	DRW050/110	1800	0.8	1294.9	60	30
	DRW063/130	2400	0.6	1820.3	60	40
DRW063/130	3000	0.5	2214.1	60	50	
0.25KW	DRW040/075	300	4.7	514.5	10	30
	DRW040/090			499.3	7.5	40
	DRW040/090	400	3.5	647.9	10	40
	DRW040/090	500	2.8	769.7	10	50
	DRW040/090	600	2.3	932.5	15	40
	DRW050/110	750	1.9	1157.2	25	30
	DRW050/110	900	1.6	1280.6	30	30
	DRW063/130	1200	1.2	1741.2	40	30

0.09KW	DRW030/040	300	4.7	103.1	10	30
	DRW030/050	400	3.5	141.1	10	40
	DRW030/050	500	2.8	161.3	10	50
	DRW030/050	600	2.3	176.2	20	30
	DRW030/050	750	1.9	229.1	25	30
	DRW030/063	900	1.6	272.7	30	30
	DRW030/063	1200	1.2	351.8	30	40
	DRW040/075	1500	0.9	450.5	50	30
	DRW040/075	1800	0.8	460.0	60	30
	DRW040/090	2400	0.6	579.3	60	40
	DRW040/090	3000	0.5	688.2	60	50
	0.12KW	DRW030/050	300	4.7	144.7	10
DRW030/050		400	3.5	188.1	10	40
DRW030/063		500	2.8	223.9	10	50
DRW030/063		600	2.3	275.0	15	40
DRW030/063		750	1.9	316.8	15	50
DRW040/075		900	1.6	402.8	30	30
DRW030/063		1200	1.2	469.1	30	40
DRW040/075				510.5	30	40
DRW040/090		1500	0.9	602.5	30	50
DRW040/090		1800	0.8	686.2	30	60
DRW040/090		2400	0.6	772.4	60	40
DRW050/110		3000	0.5	1003.2	60	50
0.18KW	DRW030/050	300	4.7	217.1	10	30
	DRW030/063	400	3.5	291.5	10	40
	DRW030/063	500	2.8	335.9	10	50
	DRW040/075	600	2.3	472.6	20	30
0.55KW	DRW063/130	1500	0.9	2006.2	50	30
	DRW063/130	1800	0.8	2082.8	60	30
	DRW050/110	300	4.7	760.4	10	30
	DRW050/110	400	3.5	992.1	10	40
	DRW050/110	500	2.8	1227.3	10	50
	DRW050/110	600	2.3	1411.3	15	40
	DRW050/110	750	1.9	1720.2	25	30
	DRW063/130	1200	1.6	2595.0	30	40
0.75KW	DRW050/110	300	4.7	1036.9	10	30
	DRW050/110	400	3.5	1352.9	10	40
	DRW063/130	500	2.8	1686.7	10	50
	DRW063/130	600	2.3	1984.5	15	40
1.1KW	DRW063/130	750	1.9	2403.0	25	30
	DRW063/130	900	1.6	2735.8	30	30
1.5KW	DRW063/130	300	4.7	1572.5	10	30
	DRW063/130	400	3.5	2033.9	10	40

减速机出力轴的许可径向加载力 (N)

ALLOWED RADIAL LOADING FORCE ON OUTPUT SHAFT OF REDUCER (N)

i	n_2	RW030	RW040	RW050	RW063	RW075	RW090	RW110	RW130	RW150
5	280	599	1149	1586	2062	2428	2687	3389	4433	-
7.5	186	691	1325	1829	2378	2799	3098	3908	5112	6962
10	140	758	1454	2007	2609	3072	3400	4288	5610	7663
15	94	868	1665	2298	2988	3518	3893	4910	6424	8777
20	70	954	1829	2525	3283	3865	4277	5395	7057	9654
25	56	1033	1981	2735	3556	4187	4633	5844	7645	10400
30	47	1088	2087	2881	3745	4410	4880	6155	8052	11051
40	35	1204	2309	3188	4145	4880	5401	6812	8912	12163
50	28	1296	2485	3431	4461	5252	5812	7331	9590	13103
60	24	1381	2649	3658	4756	5599	6196	7815	10224	13924
80	18	1516	2907	4014	5218	6144	6799	8576	11219	15325
100	14	1638	3142	4338	5639	6639	7348	9268	12124	16508



-表中的数值为作用于出力轴中点的许可加载力。

-当减速机为双出轴时，折算到轴端的径向合力不能超过表中规定的数值。

-当径向力和轴向力同时施加时，最大许可的轴向推力为径向力的1/5。

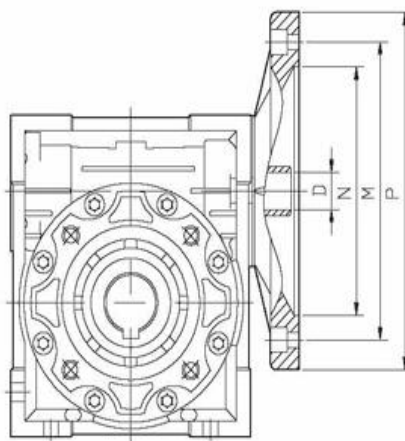
-Above table is the allowed loading force on the midpoint of output shaft.

-When the reducer is with double output shafts, the resultant radial power at the edge of shaft should not exceed the values specified as in above table.

-The max allowed axial thrust is 1/5 of radial force while the radial force and axial force effected together.

NMRW减速机的电机配合接口

MOTOR CONNECTION FOR NMRW REDUCER



公司名称：上海梁瑾机电设备有限公司

联系人：杨少银 手机:13916695992/13661935973

QQ:1774474796/ 3529250374

电话:021-60538280 传真:021-57872573

网址: <http://www.liangjinqb.com>

地址：中国上海上海市松江区茜浦路 850 弄 33 号

NMRW	PAM IEC	N		M		P		5	7.5	10	15	20	25	30	40	50	60	80	100
		B5	B14	B5	B14	B5	B14	D											
025	56B14	-	50	-	65	-	80	9	9	9	9	9	-	9	9	9	9	-	-
030	56B5/B14	80	50	100	65	120	80	9	9	9	9	9	9	9	9	9	9	9	-
	63B5/B14	95	60	115	75	140	90	11	11	11	11	11	11	11	11	11	11	-	-
040	56B5/B14	80	50	100	65	120	80	-	-	-	-	-	-	-	-	9	9	9	9
	63B5/B14	95	60	115	75	140	90	11	11	11	11	11	11	11	11	11	11	11	11
	71B5/B14	110	70	130	85	160	105	14	14	14	14	14	14	14	14	14	-	-	-
050	63B5/B14	95	60	115	75	140	90	-	-	-	-	-	-	-	-	11	11	11	11
	71B5/B14	110	70	130	85	160	105	14	14	14	14	14	14	14	14	14	14	14	-
	80B5/B14	130	80	165	100	200	120	19	19	19	19	19	19	19	19	19	-	-	-
063	71B5/B14	110	70	130	85	160	105	-	-	-	-	-	-	-	-	14	14	14	14
	80B5/B14	130	80	165	100	200	120	-	19	19	19	19	19	19	19	19	19	19	19
	90B5/B14	130	95	165	115	200	138	-	24	24	24	24	24	24	24	-	-	-	-
075	71B5	110	-	130	-	160	-	-	-	-	-	-	-	-	-	14	14	14	14
	80B5/B14	130	80	165	100	200	120	-	-	-	-	-	-	-	19	19	19	19	19
	90B5/B14	130	95	165	115	200	138	-	24	24	24	24	24	24	24	-	-	-	-
	100B5/B14	180	110	215	130	250	160	-	28	28	28	-	-	-	-	-	-	-	-
	112B5/B14	180	110	215	130	250	160	-	28	-	-	-	-	-	-	-	-	-	-
090	80B5/B14	130	80	165	100	200	120	-	-	-	-	-	-	-	-	19	19	19	19
	90B5/B14	130	95	165	115	200	138	-	-	-	-	-	24	24	24	24	24	-	-
	100B5/B14	180	110	215	130	250	160	-	28	28	28	28	28	28	-	-	-	-	-
	112B5/B14	180	110	215	130	250	160	-	28	28	28	28	-	-	-	-	-	-	-
110	90B5	130	-	165	-	200	-	-	-	-	-	-	-	-	-	24	24	24	24
	100B5	180	-	215	-	250	-	-	28	28	28	28	28	28	28	28	28	-	-
	112B5	180	-	215	-	250	-	-	28	28	28	28	28	28	-	-	-	-	-
	132B5	230	-	265	-	300	-	-	38	38	38	38	-	-	-	-	-	-	-
130	90B5	130	-	165	-	200	-	-	-	-	-	-	-	-	-	-	-	24	24
	100B5	180	-	215	-	250	-	-	-	-	-	-	-	-	28	28	28	28	28
	112B5	180	-	215	-	250	-	-	28	28	28	28	28	28	28	28	28	-	-
	132B5	230	-	265	-	300	-	-	38	38	38	38	38	38	38	38	-	-	-
150	100/112B5	180	-	215	-	250	-	-	-	-	-	-	-	-	-	28	28	28	28
	132B5	230	-	265	-	300	-	-	-	-	-	38	38	38	38	38	38	-	-
	160B5	250	-	300	-	350	-	-	42	42	42	42	42	-	-	-	-	-	-

公司名称：上海梁瑾机电设备有限公司

联系人：杨少银 手机:13916695992/13661935973

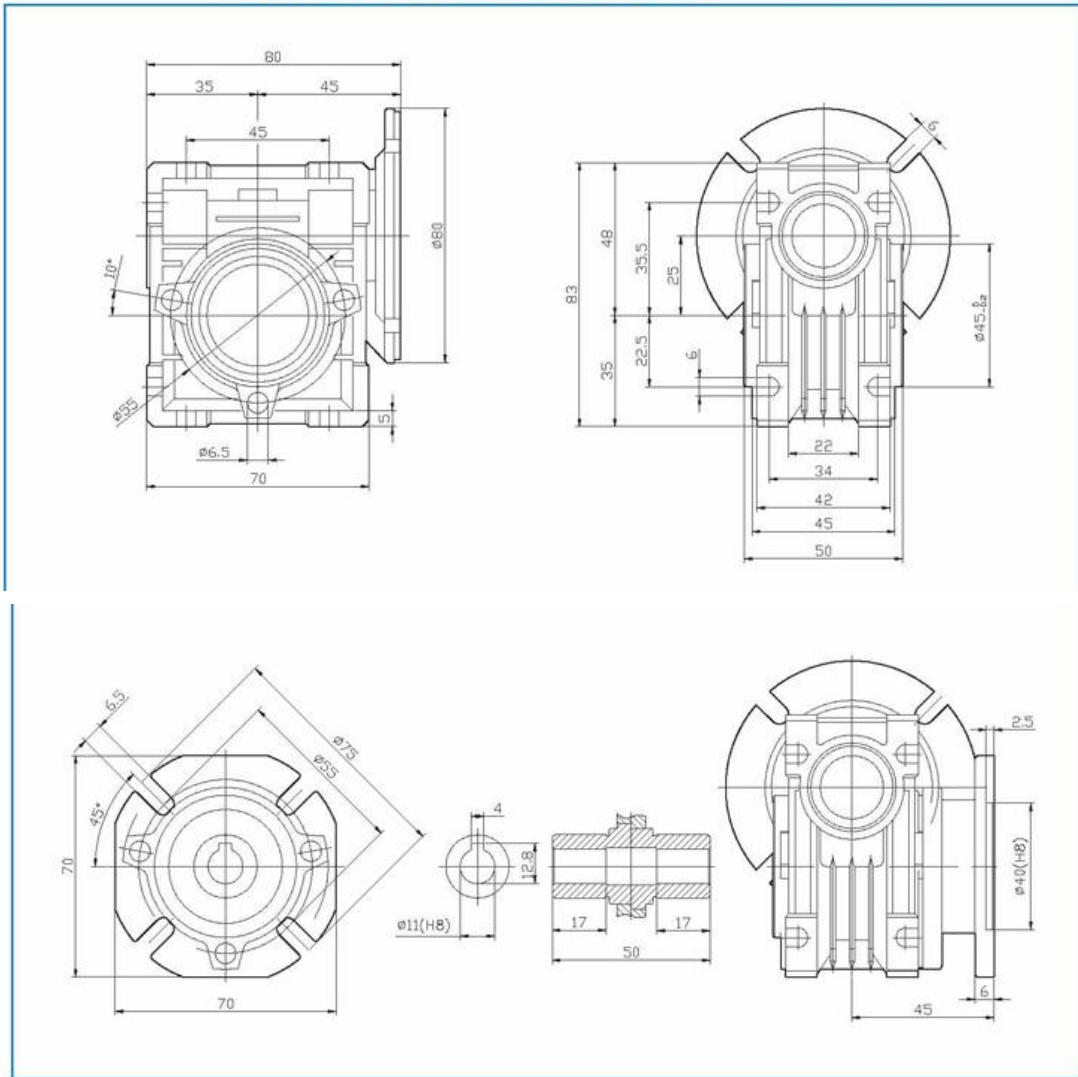
QQ:1774474796/ 3529250374

电话:021-60538280 传真:021-57872573

网址: <http://www.liangjinqb.com>

地址：中国上海上海市松江区黄蒲路 850 弄 33 号

NMRW025 尺寸/NMRW025 DIMENSIONS



公司名称：上海梁瑾机电设备有限公司

联系人：杨少银 手机:13916695992/13661935973

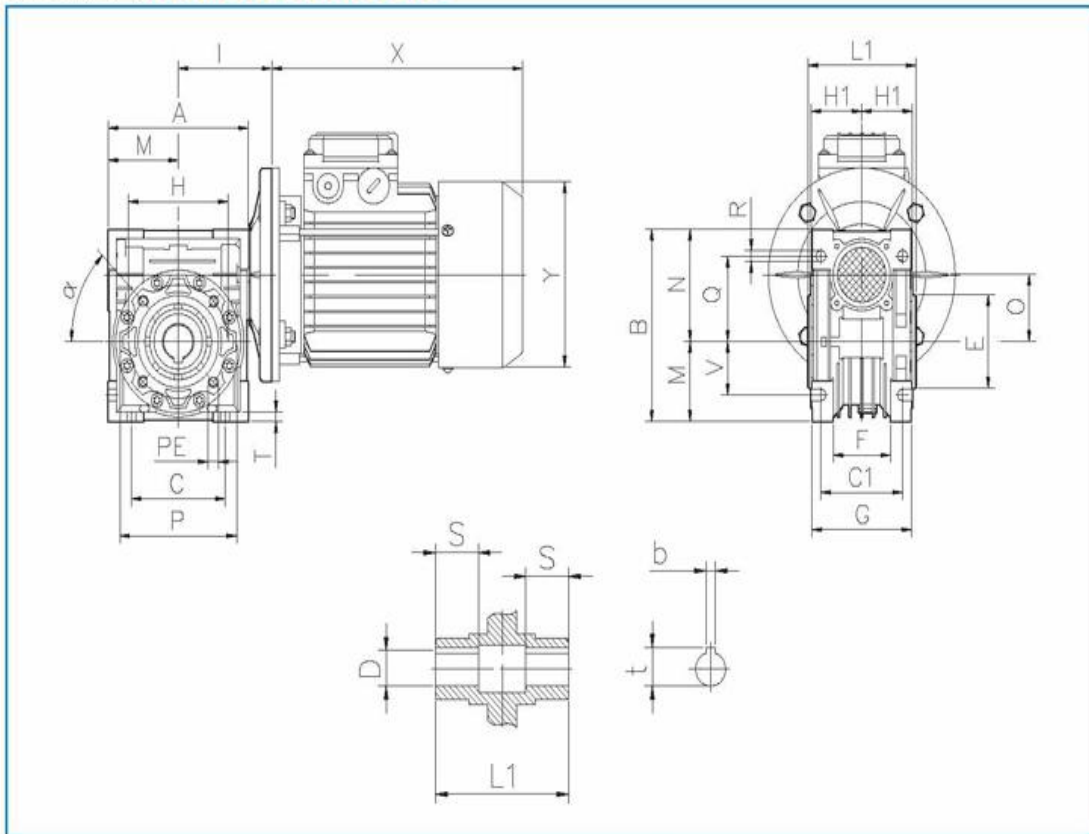
QQ:1774474796/ 3529250374

电话:021-60538280 传真:021-57872573

网址：<http://www.liangjinqb.com>

地址：中国上海上海市松江区茜浦路 850 弄 33 号

NMRW尺寸/NMRW DIMENSIONS



NMRW	A	B	C	C1	D(H7)	E(h8)	F	G	H	H1	I	L1	M	N	O
030	80	97	54	44	14	55	32	56	65	29	55	63	40	57	30
040	100	121.5	70	60	18(19)	60	43	71	75	36.5	70	78	50	71.5	40
050	120	144	80	70	25(24)	70	49	85	85	43.5	80	92	60	84	50
063	144	174	100	85	25(28)	80	67	103	95	53	95	112	72	102	63
075	172	205	120	90	28(35)	95	72	112	115	57	112.5	120	86	119	75
090	206	238	140	100	35(38)	110	74	130	130	67	129.5	140	103	135	90
110	255	295	170	115	42	130	-	144	165	74	160	155	127.5	167.5	110
130	293	335	200	120	45	180	-	155	215	81	179	170	146.5	187.5	130
150	340	400	240	145	50	180	-	185	215	96	210	200	170	230	150

NMRW	P	Q	R	S	T	V	PE	b	t	alpha	Kg.
030	75	44	6.5	21	5.5	27	M6x11(n=4)	5	16.3	0°	1.2
040	87	55	6.5	26	6.5	35	M6x8(n=4)	6	20.8(21.8)	45°	2.3
050	100	64	8.5	30	7	40	M8x10(n=4)	8	28.3(27.3)	45°	3.8
063	110	80	8.5	36	8	50	M8x14(n=8)	8	28.3(31.3)	45°	6.2
075	140	93	11	40	10	60	M8x14(n=8)	ø(10)	31.3(38.3)	45°	9
090	160	102	13	45	11	70	M10x18(n=8)	10	38.3(41.3)	45°	13
110	200	125	14	50	14	85	M10x18(n=8)	12	45.3	45°	42.5
130	250	140	16	60	15	100	M12x21(n=8)	14	48.8	45°	59
150	250	180	18	72.5	18	120	M12x21(n=8)	14	53.8	45°	87

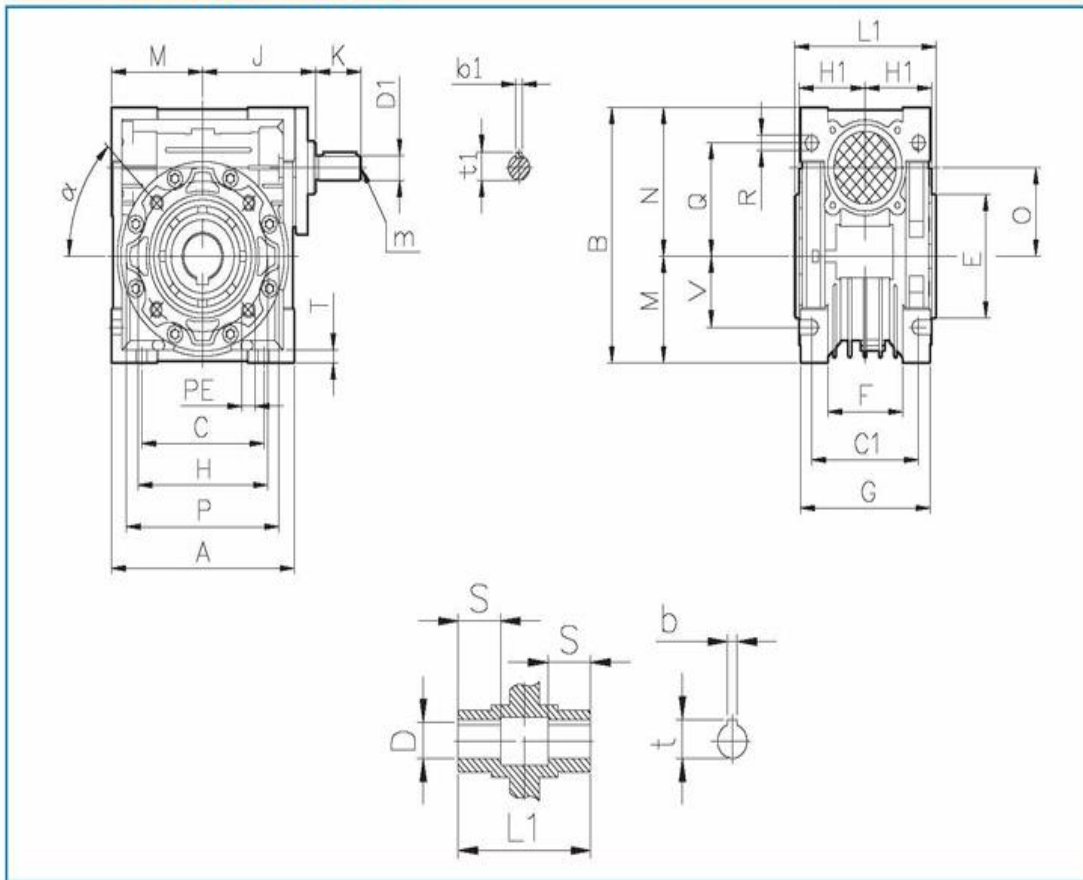
注：1. X、Y尺寸参见本公司样本A—《通用电机》篇中的尺寸部分；

2. 重量 (kg.) 不包含电机的重量。

NOTE: 1. Pls refer to our catalogue Electric Motor for the size of X&Y.

2. Weight(KG): without the weight of motor.

NRW尺寸/NRW DIMENSIONS



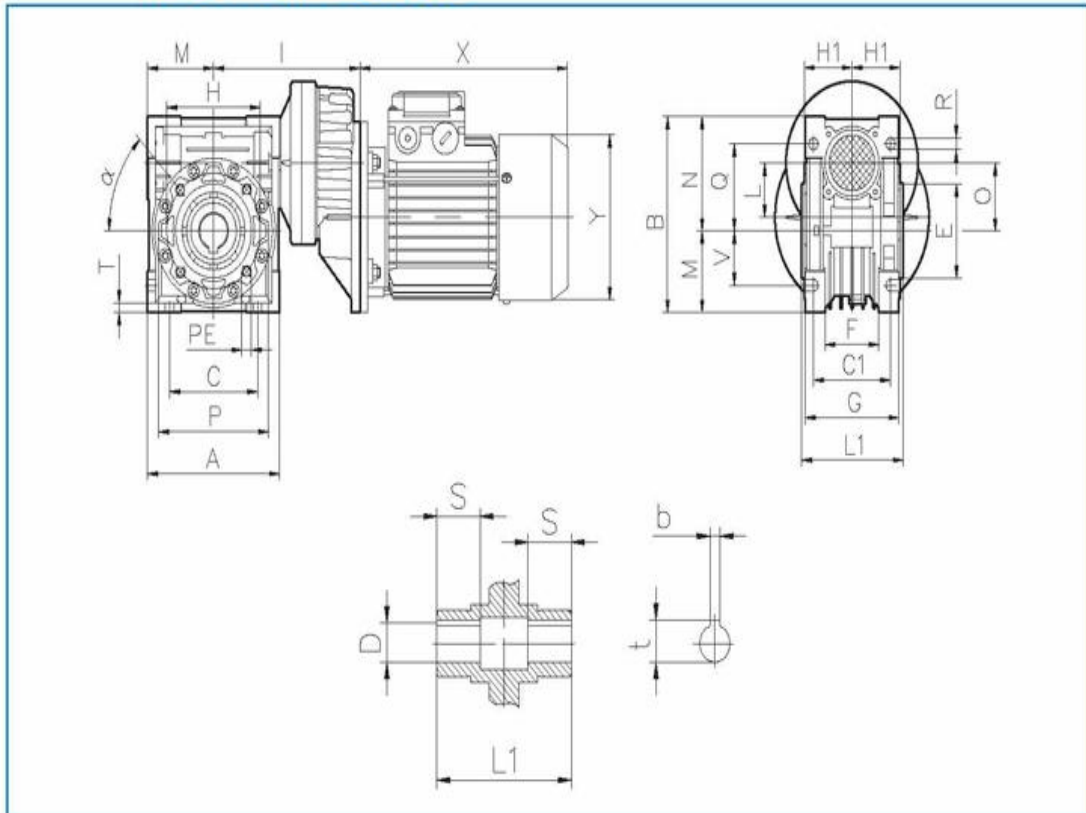
NRW	A	B	C	C1	D(H7)	D1(J6)	E(H8)	F	G	H	H1	J	K	L1	M	N	O	P
030	80	97	54	44	14	9	55	32	56	65	29	51	20	63	40	57	30	75
040	100	121.5	70	60	18(19)	11	60	43	71	75	36.5	60	23	78	50	71.5	40	87
050	120	144	80	70	25(24)	14	70	49	85	85	43.5	74	30	92	60	84	50	100
063	144	174	100	85	25(28)	19	80	67	103	95	53	90	40	112	72	102	63	110
075	172	205	120	90	28(35)	24	95	72	112	115	57	105	50	120	86	119	75	140
090	206	238	140	100	35(38)	24	110	74	130	130	67	125	50	140	103	135	90	160
110	255	295	170	115	42	28	130	-	144	165	74	142	60	155	127.5	167.5	110	200
130	293	335	200	120	45	30	180	-	155	215	81	162	80	170	146.5	188.5	130	250
150	340	400	240	145	50	35	180	-	185	215	96	195	80	200	170	230	150	250

NRW	Q	R	S	T	V	PE	b	b1	t	t1	m	α	Kg.
030	44	6.5	21	5.5	27	M6x11(n=4)	5	3	16.3	10.2	-	0°	1.2
040	55	6.5	26	6.5	35	M6x8(n=4)	6	4	20.8(21.8)	12.5	-	45°	2.3
050	64	8.5	30	7	40	M8x10(n=4)	8	5	28.3(27.3)	16.0	M6	45°	3.8
063	80	8.5	36	8	50	M8x14(n=8)	8	6	28.3(31.3)	21.5	M6	45°	6.2
075	93	11	40	10	60	M8x14(n=8)	8(10)	8	31.1(38.3)	27.0	M8	45°	9
090	102	13	45	11	70	M10x18(n=8)	10	8	38.3(41.3)	27.0	M8	45°	13
110	125	14	50	14	85	M10x18(n=8)	12	8	45.3	31.0	M10	45°	42.5
130	140	16	60	15	100	M12x21(n=8)	14	8	48.8	33.0	M10	45°	59
150	180	18	72.5	18	120	M12x21(n=8)	14	10	53.8	38	M12	45°	87

注：重量 (kg.) 不包含电机的重量。

NOTE: Weight(KG): without the weight of motor.

PCRW尺寸/PCRW DIMENSIONS



PCRW	A	B	C	C1	D(H7)	E(h8)	F	G	H	H1	I	L	L1	M	N	O	P
063/040	100	121.5	70	60	18(19)	60	43	71	75	36.5	123	40	78	50	71.5	40	87
063/050	120	144	80	70	25(24)	70	49	85	85	43.5	133	40	92	60	84	50	100
071/050	120	144	80	70	25(24)	70	49	85	85	43.5	143	50	92	60	84	50	100
063/063	144	174	100	85	25(28)	80	67	103	95	53	148	40	112	72	102	63	110
071/063	144	174	100	85	25(28)	80	67	103	95	53	158	50	112	72	102	63	110
071/075	172	205	120	90	28(35)	95	72	112	115	57	176	50	120	86	119	75	140
080/075	172	205	120	90	28(35)	95	72	112	115	57	186	63	120	86	119	75	140
071/090	206	238	140	100	35(38)	110	74	130	130	67	193	50	140	103	135	90	160
080/090	206	238	140	100	35(38)	110	74	130	130	67	203	63	140	103	135	90	160
080(090)/110	255	295	170	115	42	130	-	144	165	74	233	63	155	127.5	167.5	110	200
080(090)/130	293	335	200	120	45	180	-	155	215	81	253	63	170	147.5	187.5	130	250

PCRW	Q	R	S	T	V	PE	b	t	alpha	Kg
063/040	55	6.5	26	6.5	35	M6x8(n=4)	6	20.8(21.8)	45°	3.9
063/050	64	8.5	30	7	40	M8x10(n=4)	8	28.3(27.3)	45°	5.2
071/050	64	8.5	30	7	40	M8x10(n=4)	8	28.3(27.3)	45°	5.8
063/063	80	8.5	36	8	50	M8x14(n=8)	8	28.3(31.3)	45°	7.9
071/063	80	8.5	36	8	50	M8x14(n=8)	8	28.3(31.3)	45°	8.5
071/075	93	11	40	10	60	M8x14(n=8)	8	31.3(38.3)	45°	11.3
080/075	93	11	40	10	60	M8x14(n=8)	8(10)	31.3(38.3)	45°	13.1
071/090	102	13	45	11	70	M10x18(n=8)	10	38.3(41.3)	45°	15.3
080/090	102	13	45	11	70	M10x18(n=8)	10	38.3(41.3)	45°	17.2
080(090)/110	125	14	50	14	85	M10x18(n=8)	12	45.3	45°	39
080(090)/130	140	16	60	15	100	M12x21(n=8)	14	48.8	45°	52.2

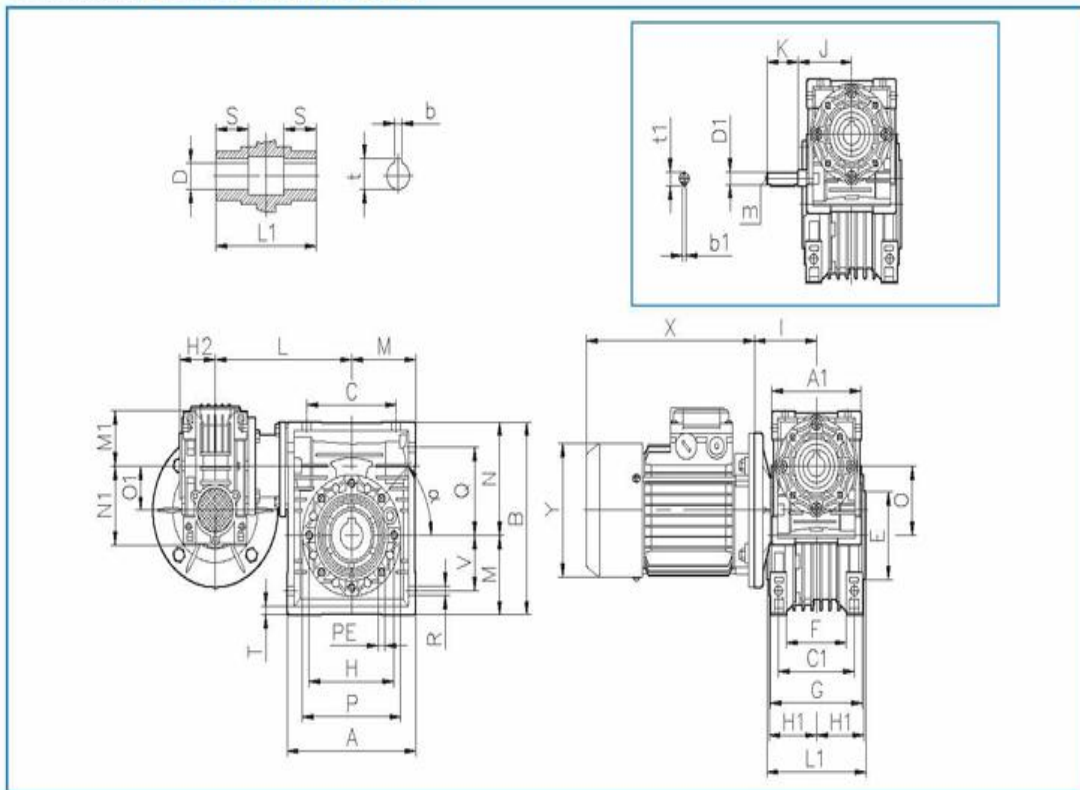
注：1. X、Y尺寸参见本公司样本A—《通用电机》篇中的尺寸部分；

2. 重量 (kg.) 不包含电机的重量。

NOTE: 1. PIs refer to our catalogue Electric Motor for the size of X&Y.

2. Weight(KG): without the weight of motor

DRW尺寸/DRW DIMENSIONS



PCRW	A	B	C	C1	D(H7)	E(h8)	F	G	H	H1	I	L	L1	M	N	O	P
063/040	100	121.5	70	60	18(19)	60	43	71	75	36.5	123	40	78	50	71.5	40	87
063/050	120	144	80	70	25(24)	70	49	85	85	43.5	133	40	92	60	84	50	100
071/050	120	144	80	70	25(24)	70	49	85	85	43.5	143	50	92	60	84	50	100
063/063	144	174	100	85	25(28)	80	67	103	95	53	148	40	112	72	102	63	110
071/063	144	174	100	85	25(28)	80	67	103	95	53	158	50	112	72	102	63	110
071/075	172	205	120	90	28(35)	95	72	112	115	57	176	50	120	86	119	75	140
080/075	172	205	120	90	28(35)	95	72	112	115	57	186	63	120	86	119	75	140
071/090	206	238	140	100	35(38)	110	74	130	130	67	193	50	140	103	135	90	160
080/090	206	238	140	100	35(38)	110	74	130	130	67	203	63	140	103	135	90	160
080(090)/110	255	295	170	115	42	130	-	144	165	74	233	63	155	127.5	167.5	110	200
080(090)/130	293	335	200	120	45	180	-	155	215	81	253	63	170	147.5	187.5	130	250

PCRW	Q	R	S	T	V	PE	b	t	α	Kg
063/040	55	6.5	26	6.5	35	M6x8(n=4)	6	20.8(21.8)	45°	3.9
063/050	64	8.5	30	7	40	M8x10(n=4)	8	28.3(27.3)	45°	5.2
071/050	64	8.5	30	7	40	M8x10(n=4)	8	28.3(27.3)	45°	5.8
063/063	80	8.5	36	8	50	M8x14(n=8)	8	28.3(31.3)	45°	7.9
071/063	80	8.5	36	8	50	M8x14(n=8)	8	28.3(31.3)	45°	8.5
071/075	93	11	40	10	60	M8x14(n=8)	8	31.3(38.3)	45°	11.3
080/075	93	11	40	10	60	M8x14(n=8)	8(10)	31.3(38.3)	45°	13.1
071/090	102	13	45	11	70	M10x18(n=8)	10	38.3(41.3)	45°	15.3
080/090	102	13	45	11	70	M10x18(n=8)	10	38.3(41.3)	45°	17.2
080(090)/110	125	14	50	14	85	M10x18(n=8)	12	45.3	45°	39
080(090)/130	140	16	60	15	100	M12x21(n=8)	14	48.8	45°	52.2

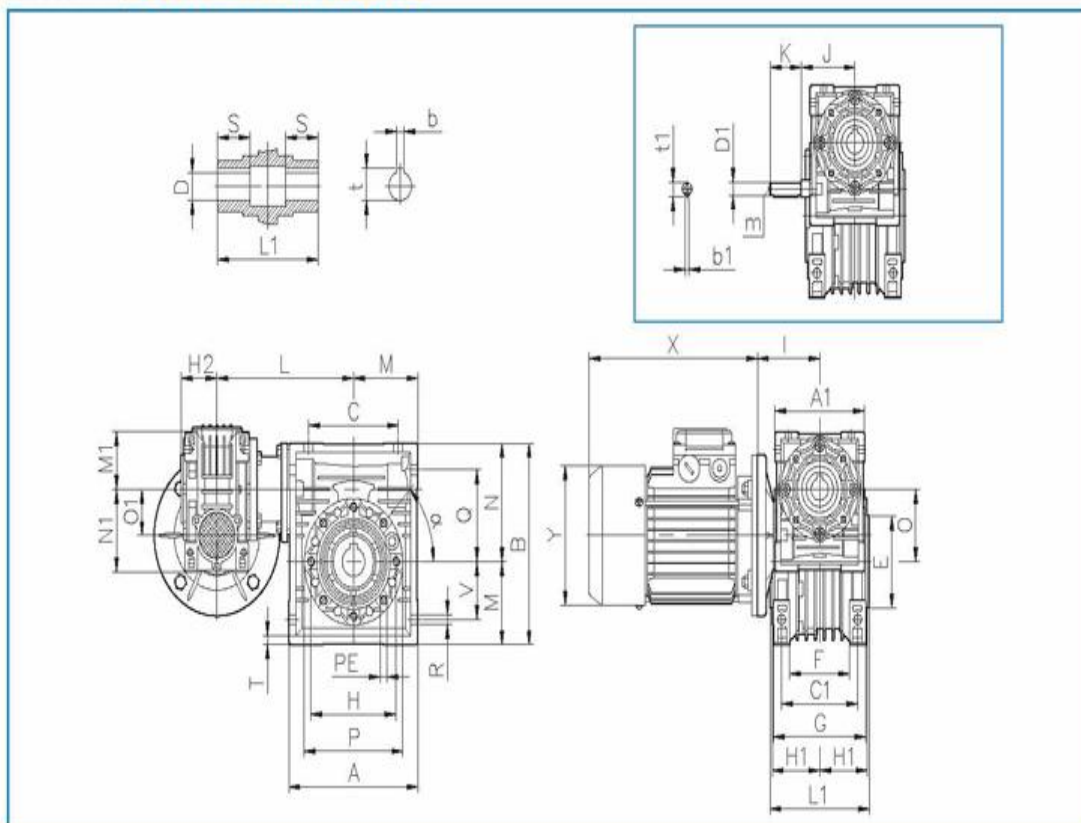
注：1. X、Y尺寸参见本公司样本A—《通用电机》篇中的尺寸部分；

2. 重量 (kg.) 不包含电机的重量。

NOTE: 1. Pls refer to our catalogue Electric Motor for the size of X&Y.

2. Weight(KG): without the weight of motor

DRW尺寸/DRW DIMENSIONS



DRW	A	A1	B	C	C1	D(H7)	D1(j6)	E(h8)	F	G	H	H1	H2	I	J	K	L	L1	M	M1	N
030/040	100	80	121.5	70	60	18(19)	9	60	43	71	75	36.5	29	55	51	20	120	78	50	40	71.5
030/050	120	80	144	80	70	25(24)	9	70	49	85	85	43.5	29	55	51	20	130	92	60	40	84
030/063	144	80	174	100	85	25(28)	9	80	67	103	95	53	29	55	51	20	145	112	72	40	102
040/075	172	100	205	120	90	28(35)	11	95	72	112	115	57	36.5	70	60	23	165	120	86	50	119
040/090	206	100	238	140	100	35(38)	11	110	74	130	130	67	36.5	70	60	23	182	140	103	50	135
050/110	255	120	295	170	115	42	14	130	-	144	165	74	43.5	80	74	30	225	155	127.5	60	167.5
063/130	293	144	335	200	120	45	19	180	-	155	215	81	53	95	90	40	245	170	146.5	72	187.5

DRW	N1	O	O1	P	Q	R	S	T	V	PE	α	b	b1	t	t1	m	Kg
030/040	57	40	30	87	55	6.5	26	6.5	35	M6x8(n=4)	45°	6(6)	3	20.8(21.8)	10.2	-	3.9
030/050	57	50	30	100	64	8.5	30	7	40	M8x10(n=4)	45°	8(8)	3	28.3(27.3)	10.2	-	5.0
030/063	57	63	30	110	80	8.5	36	8	50	M8x14(n=8)	45°	8(8)	3	28.3(31.3)	10.2	-	7.8
040/075	71.5	75	40	140	93	11	40	10	60	M8x14(n=8)	45°	8(10)	4	31.3(38.3)	12.5	-	12.0
040/090	71.5	90	40	160	102	13	45	11	70	M10x18(n=8)	45°	10	4	38.3(41.3)	12.5	-	16.0
050/110	84	110	50	200	125	14	50	14	85	M10x18(n=8)	45°	12	5	45.3	16.0	M6	39.2
063/130	102	130	63	250	140	16	60	15	100	M12x21(n=8)	45°	14	6	48.3	21.5	M6	55.0

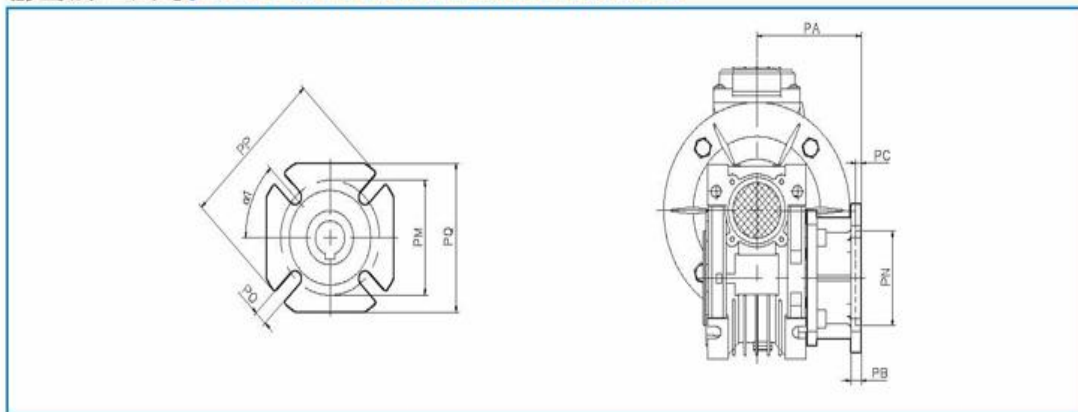
注：1. X、Y尺寸参见本公司样本A—《通用电机》篇中的尺寸部分；

2. 重量 (kg.) 不包含电机的重量。

NOTE: 1. Pls refer to our catalogue Electric Motor for the size of X&Y.

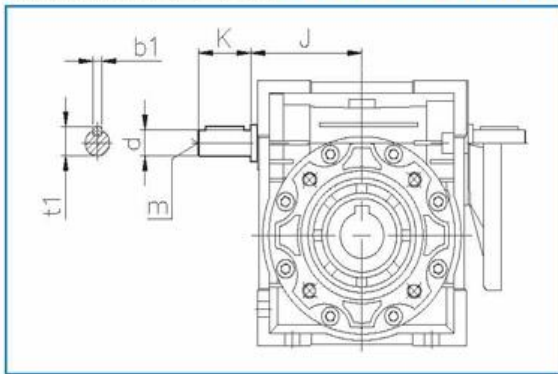
2. Weight(KG):without the weight of motor

输出法兰尺寸/OUTPUT FLANGE DIMENSIONS



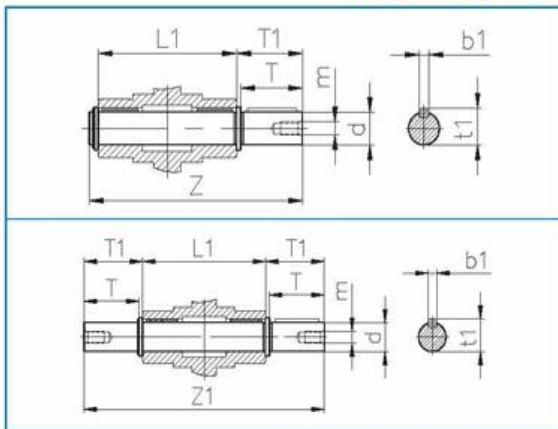
		030	040	050	063	075	090	110	130	150
FA	PA	54.5	67	90	82	111	111	139	140	155
	PB	6	7	9	10	13	13	15	15	15
	PC	4	4	5	6	6	6	6	6	6
	PN	50	60	70	115	130	152	170	180	180
	PM	68	75	85	150	165	175	230	255	255
	PQ	6.5(n=4)	9(n=4)	11(n=4)	11(n=4)	14(n=4)	14(n=4)	14(n=8)	16(n=8)	16(n=8)
	PP	80	110	125	180	200	210	280	320	320
	PQ	70	95	110	142	170	200	260	290	290
	α1	45°	45°	45°	45°	45°	45°	45°	45°	22.5°
FB	PA	-	97	120	112	-	122	-	-	-
	PB	-	7	9	10	-	18	-	-	-
	PC	-	4	5	6	-	6	-	-	-
	PN	-	60	70	115	-	180	-	-	-
	PM	-	75	85	150	-	215	-	-	-
	PO	-	9(n=4)	11(n=4)	11(n=4)	-	14(n=4)	-	-	-
	PP	-	110	125	180	-	250	-	-	-
	PQ	-	95	110	142	-	-	-	-	-
	α1	-	45°	45°	45°	-	45°	-	-	-
FC	PA	-	80	89	98	-	110	-	-	-
	PB	-	9	10	10	-	17	-	-	-
	PC	-	5	5	5	-	6	-	-	-
	PN	-	95	110	130	-	130	-	-	-
	PM	-	115	130	165	-	165	-	-	-
	PO	-	9.5(n=4)	9.5(n=4)	11(n=4)	-	11(n=4)	-	-	-
	PP	-	140	160	200	-	200	-	-	-
	α1	-	45°	45°	45°	-	45°	-	-	-
	FD	PA	-	58	72	-	-	151	-	-
PB		-	12	14.5	-	-	13	-	-	-
PC		-	5	5	-	-	6	-	-	-
PN		-	80	95	-	-	152	-	-	-
PM		-	100	115	-	-	175	-	-	-
PO		-	9(n=4)	11(n=4)	-	-	14(n=4)	-	-	-
PP		-	120	140	-	-	210	-	-	-
α1		-	45°	45°	-	-	45°	-	-	-
FE		PA	-	-	-	80.5	-	-	-	-
	PB	-	-	-	16.5	-	-	-	-	-
	PC	-	-	-	5	-	-	-	-	-
	PN	-	-	-	110	-	-	-	-	-
	PM	-	-	-	130	-	-	-	-	-
	PO	-	-	-	11(n=4)	-	-	-	-	-
	PP	-	-	-	160	-	-	-	-	-
	α1	-	-	-	45°	-	-	-	-	-

蜗杆尾出轴 (E) 尺寸/EXTENSION WORM SHAFT(E) DIMENSIONS



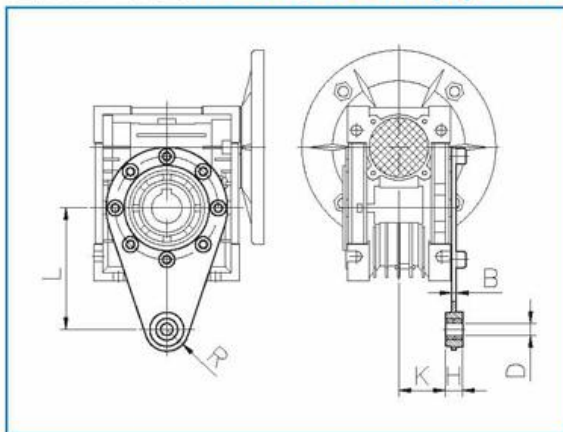
	J	d(φ)	K	m	b1	t1
030	45	9	20	-	3	10.2
040	53	11	23	-	4	12.5
050	64	14	30	M6	5	16
063	75	19	40	M6	6	21.5
075	90	24	50	M8	8	27
090	108	24	50	M8	8	27
110	135	28	60	M10	8	31
130	155	30	80	M10	8	33
150	175	35	80	M12	10	38

蜗轮输出轴 (SS, DS) 尺寸 /OUTPUT SHAFT(SS,DS) DIMENSIONS



	d(h6)	T	T1	L1	Z	Z1	m	b1	t1
025	11	23	25.5	50	81	101	-	4	12.5
030	14	30	32.5	63	102	128	M6	5	16
040	18	40	43	78	128	164	M6	6	20.5
050	25	50	53.5	92	153	199	M10	8	28
063	25	50	53.5	112	173	219	M10	8	28
075	28	60	63.5	120	192	247	M10	8	31
090	35	80	84.5	140	234	309	M12	10	38
110	42	80	84.5	155	249	324	M16	12	45
130	45	80	85	170	265	340	M16	14	48.5
150	50	82	87	200	297	374	M16	14	53.5

扭力臂(A)尺寸 /TORQUE ARM(A)DIMENSIONS



	L	H	K	D	R	B
025	70	14	17.5	8	15	4
030	85	14	24	8	15	4
040	100	14	31.5	10	18	4
050	100	14	38.5	10	18	4
063	150	14	49	10	18	6
075	200	25	47.5	20	30	6
090	200	25	57.5	20	30	6
110	250	30	62	25	35	6
130	250	30	69	25	35	6
150	250	30	84	25	35	8

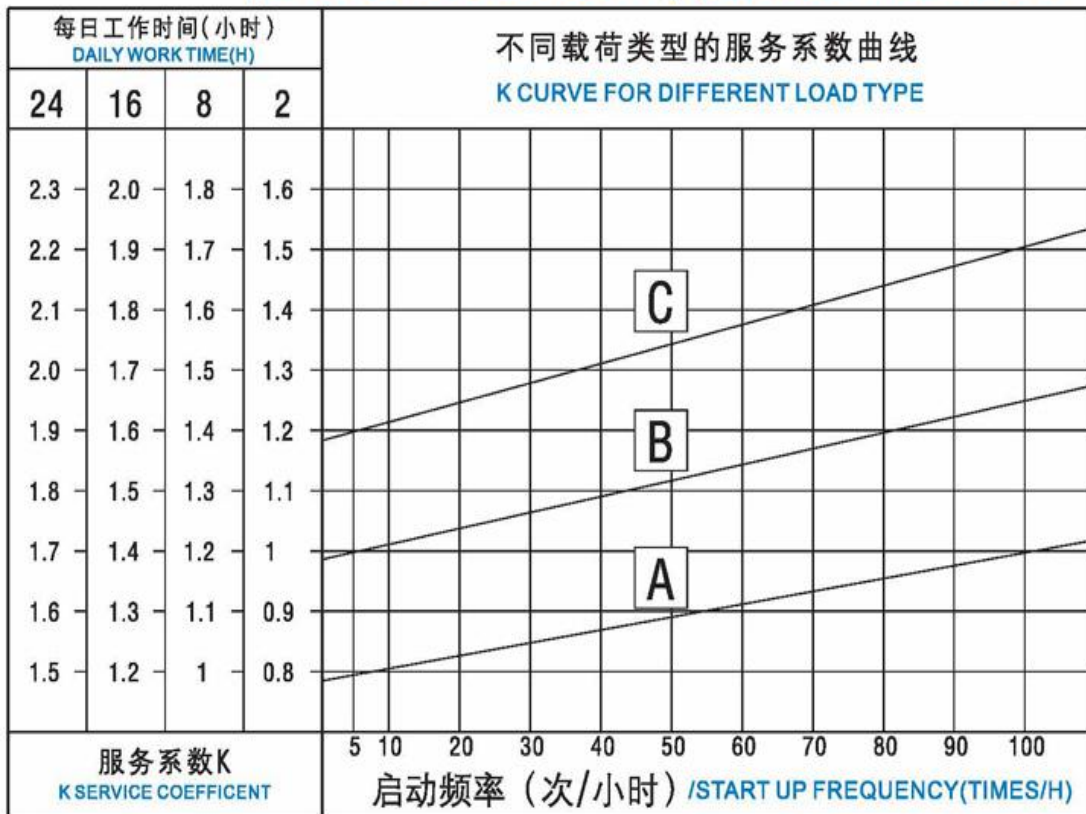
减速机选型/REDUCER SELECTION

● 减速机的服务系数 (K) /SERVICE COEFFICIENT (K) OF REDUCER

在选择减速机时, 必须考虑减速机的实际工作状况。 减速机的载荷类型 (A、B、C)、每日工作时间 (小时)、启动频率 (次/小时) 等因素均会对减速机的使用产生影响, 我们将这些影响因素综合为一个选型计算系数-服务系数 (K), 以便于正确选择减速机。

To select reducer, we must consider the practical working conditions of reducer. influence factors like load types of reducer (A, B, C), daily working hours and startup frequency (time/hour) will all influence the working of reducer. We synthe size those factors into a calculation coefficient for model selection-service coefficient (K), in order to make a correct selection of reducer.

服务系数 (K) 选择图: /SERVICE COEFFICIENT (K) SELECTING CHART:



A、B、C为载荷类型:

- A为均衡载荷;
- B为中等冲击载荷 (M_{max} 小于等于额定转矩的1.5倍);
- C为重冲击载荷 (M_{max} 大于额定转矩的1.5倍)。

在选择减速机类型时, 使用环境温度也必须作适当考虑, 当使用环境温度变化时, 以上选定的服务系数 (K) 仍须按环境温度作以下调整:

- 环境温度30/40℃: $K \times (1.1 \sim 1.2)$
- 环境温度40/50℃: $K \times (1.3 \sim 1.4)$
- 环境温度50/60℃: $K \times (1.5 \sim 1.6)$
- 环境温度 >60℃: 联系本公司技术服务部门。

A, B, C are load types.

--A is proportion load.

--B is medium impact load ($M_{max} \leq 1.5$ times of rate torque);

--C is heavy impact load ($M_{max} > 1.5$ times of rate torque) also the ambient temperature should be taken into consideration properly. if the ambient temperature changes, the selected service coefficient (k) should be adjusted as followings:

--Ambient temperature is 30/40℃: $K \times 1.1 \sim 1.2$

--Ambient temperature is 40/50℃: $K \times 1.3 \sim 1.4$

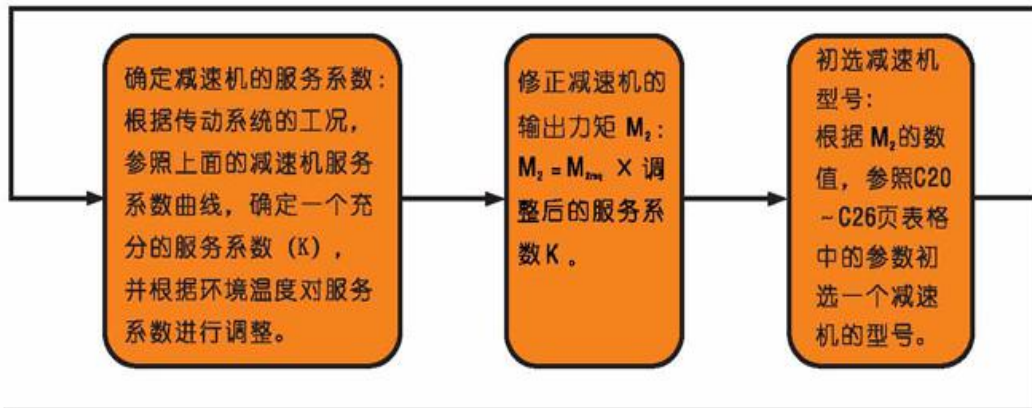
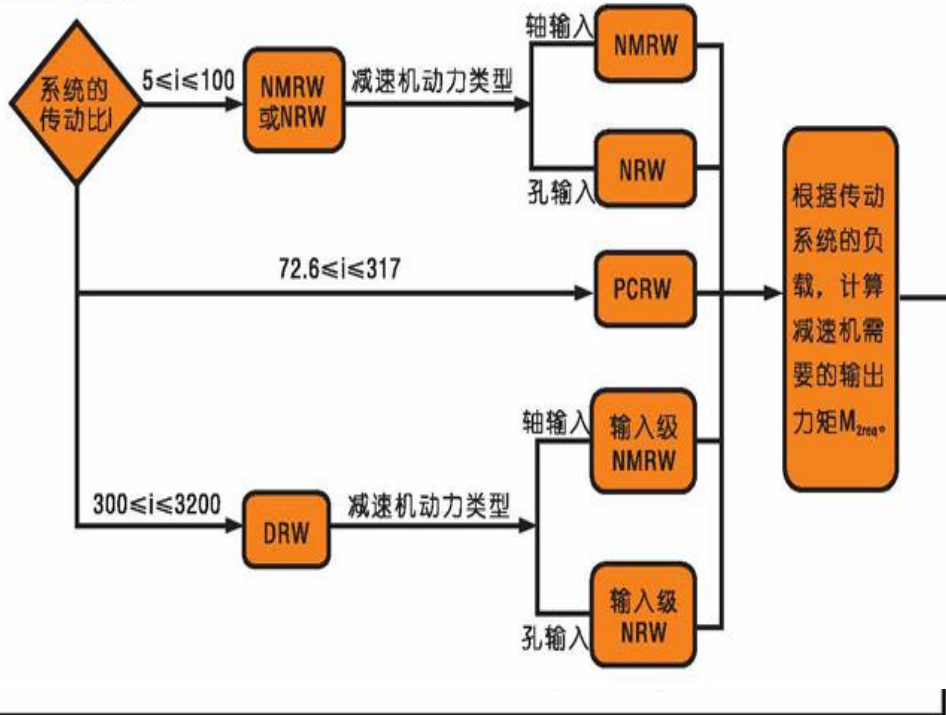
--Ambient temperature is 50/60℃: $K \times 1.5 \sim 1.6$

--If the ambient temperature >60℃; please contact our technical service team.

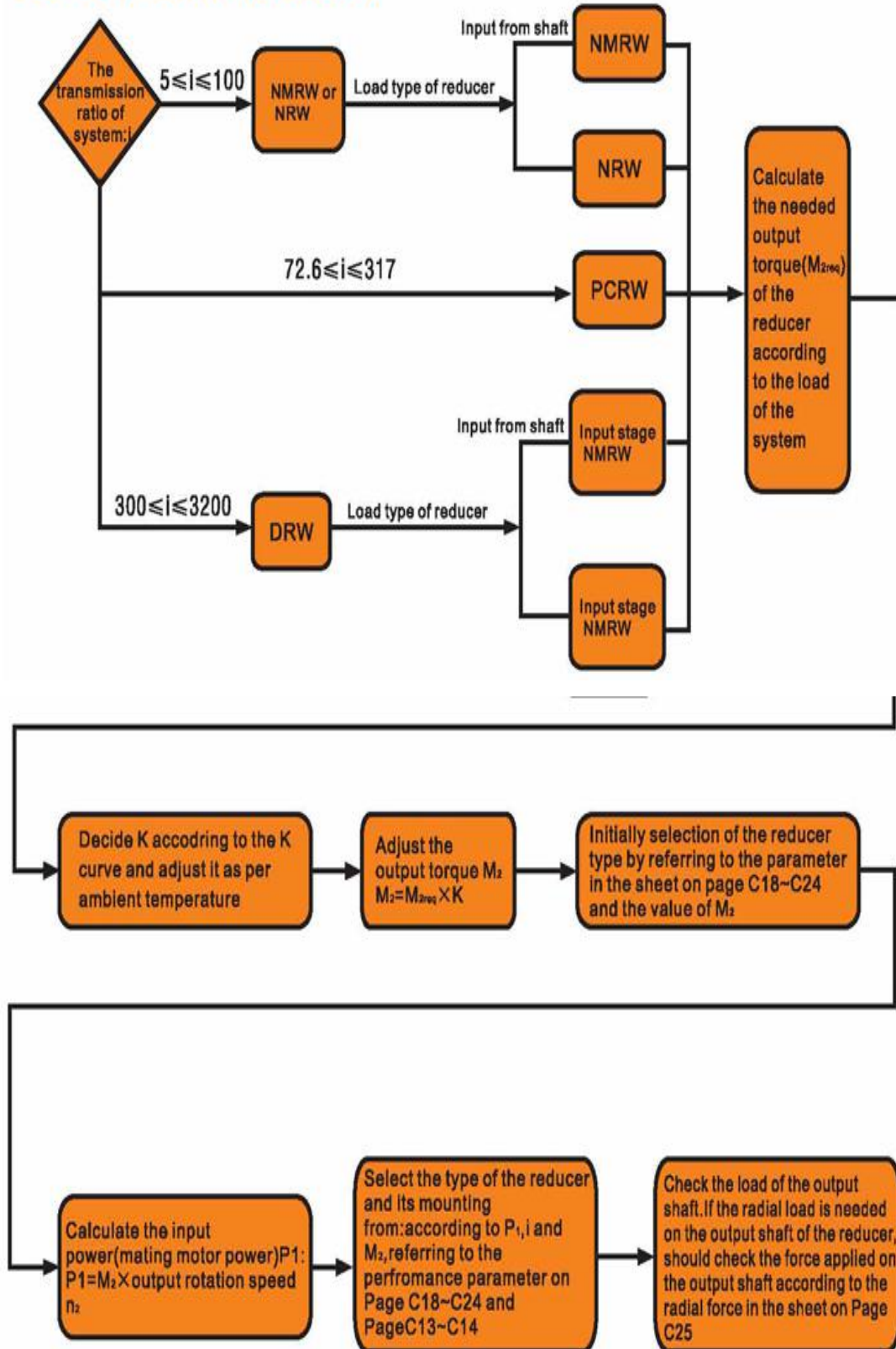
RW选型配置表

RV	KW/4P	5	7.5	10	15	20	25	30	40	50	60	80	100
025	0.06	6.2	4.2	3.5	2.5	2	NO	1.6	1.3	0.9	0.7		
	0.09	4.1	2.8	2.4	1.6	1.3	NO	1.1	0.9				
030	0.06	10.2	6.8	5.4	3.8	3	3	2.6	1.8	1.6	1.3	0.9	
	0.09	6.8	4.6	3.6	2.6	2	2	1.6	1.2	1	0.9		
	0.12	5.1	3.4	2.7	1.9	1.5	1.5	1.3	0.9	0.8			
	0.18	3.4	2.3	1.8	1.3	1	1	0.8					
040	0.06									3	2.6	1.8	1.6
	0.09									2	1.7	1.3	1
	0.12	9.2	7.3	5.5	3.7	2.8	2.5	2.6	1.9	1.5	1.3	0.9	0.8
	0.18	6.2	4.9	3.7	2.5	2	1.7	1.7	1.3	1	0.8		
	0.25	4.5	3.6	2.8	1.9	1.5	1.2	1.3	0.9				
	0.37	3	2.4	1.9	1.3	0.9	0.8	0.8					
050	0.55	2	1.6	1.2	0.8								
	0.12								3.5	2.8	2.3	1.9	1.4
	0.18								2.3	1.9	1.6	1.2	0.9
	0.25	8.1	6.3	4.8	3.6	2.7	2.2	2.3	1.7	1.4	1.1	0.9	
	0.37	5.5	4.3	3.3	2.5	1.8	1.5	1.5	1.1	0.9	0.8		
	0.55	3.7	2.9	2.2	1.6	1.2	1	1	0.8				
063	0.75	2.7	2.1	1.6	1.2	0.9							
	0.25									2.4	2	1.6	1.4
	0.37								2.1	1.6	1.4	1.1	0.9
	0.55				3	2.2	1.8	1.9	1.4	1.1	0.9		
	0.75		3.8	3	2.2	1.6	1.3	1.4	1				
	1.1		2.6	2	1.5	1.1	0.9	0.9					
075	1.5		1.9	1.5	1.1	0.8							
	0.55								2	1.6	1.4	1.1	0.9
	0.75						2	2	1.5	1.2	1		
	1.1		3.6	3	2.1	1.7	1.3	1.3	1				
	1.5		2.8	2.2	1.5	1.3	1	1					
	2.2		1.8	1.5	1								
090	3		1.4	1.1	0.8								
	4		1.4	1.1	0.8								
	0.75									1.8	1.5	1.1	0.9
	1.1								1.6	1.3	1		
	1.5					2.1	1.6	1.7	1.2	0.9	0.8		
	2.2		2.9	2.3	1.9	1.4	1.1	1.2					
110	3		2.1	1.7	1.4	1	0.8	0.9					
	4		1.6	1.3	1	0.8							
	1.1									2.1	1.7	1.2	1
	1.5								1.9	1.6	1.3	0.9	
	2.2		4.8	3.8	3	2.2	1.9	1.8	1.3	1.1	0.9		
	3		3.5	2.8	2.2	1.6	1.4	1.3	1	0.8			
130	4		2.6	2.1	1.6	1.2	1	1					
	5.5		1.9	1.6	1.2	0.9							
	7.5		1.4	1.1	0.9								
	1.5											1.5	1.1
	2.2								2.2	1.7	1.4	1	0.8
	3						2.2	2.1	1.6	1.3	1		
150	4		3.9	3.4	2.6	1.9	1.6	1.6	1.2	1	0.8		
	5.5		2.8	2.5	1.9	1.4	1.2	1.2	0.9				
	7.5		2.1	1.8	1.4	1	0.9	0.8					
	2.2									2.5	1.9	1.4	1
	3									2.5	1.8	1.4	1
	4						2.2	1.8	1.8	1.4	1.1	0.8	
150	5.5				2	1.5	1.3	1.3	1	0.8			
	7.5				1.5	1.1	1	1					
	11		2.3	1.8	1.3	1	0.8						
15		1.7	1.3	0.9	0.7								

● 减速机的选型方法



SELECTION OF REDUCER



订货须知 /NOTICE FOR ORDER

用户在订购本公司RW系列减速机产品时，须向本公司说明以下各项产品信息：

1. 减速机的基本参数（包括系列代号、机座号及传动比）；
2. 所配电机的型号及结构型式（B5或B14）；
3. 减速机的安装方式；
4. 输入输出结构配置（蜗杆出轴、蜗轮出轴、输出法兰及扭力臂），如无说明则表示不配置；
5. 外壳喷涂：如无指定，所有本公司的RW系列090以下机座号减速机为银白铝合金本色,110以上机座号减速机为蓝色，电机为蓝色。如有指定，按用户要求制作；
6. 如选配本公司的紫光电机，须按本公司样本A—《通用电机》篇中的“订货须知”说明对电机的要求。

The purchaser should provide us the following information when he want to order our RW series reducers:

1. Basic parameters of reducer (including series codes, frame sizes and ratios)
2. Types and mounting positions of matched motors (B5 or B14).
3. Mounting position of reducer.
4. Input/output structure configuration (extension worm shaft, output shaft of worm wheel, output flange and torquearm). If there is no indication of I/O components, means that it is not required.
5. Painting on outside shell: we paint size under 090 frame sizes of RW series reducers with silver color. Reducers size over 090 painted with blue color as well as motors. also we will paint according to customer's request.
6. To select ZIK motors, we refer the motor specifications notice to our catalogue of general purpose motor.

公司名称：上海梁瑾机电设备有限公司

联系人：杨少银 手机:13916695992/13661935973

QQ:1774474796/ 3529250374

电话:021-60538280 传真:021-57872573

网址: <http://www.liangjinqb.com>

地址：中国上海上海市松江区茜浦路 850 弄 33 号